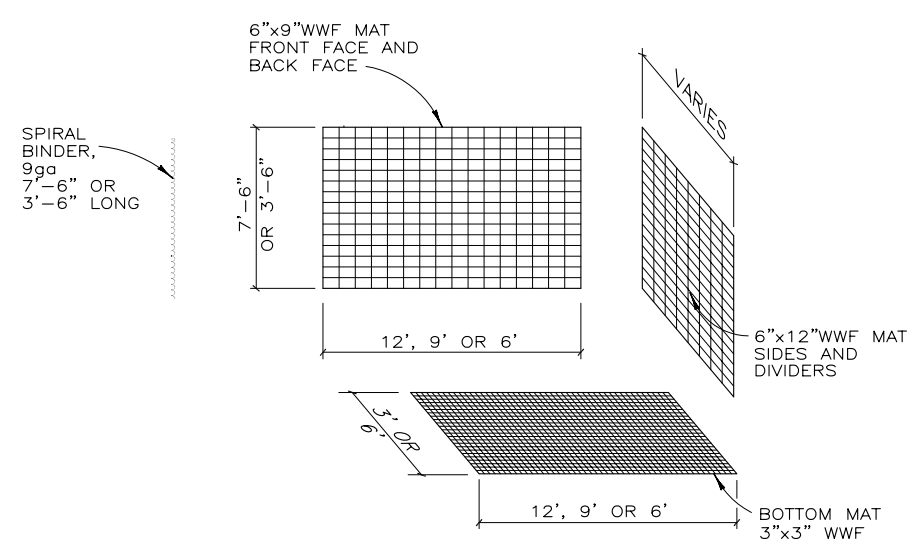
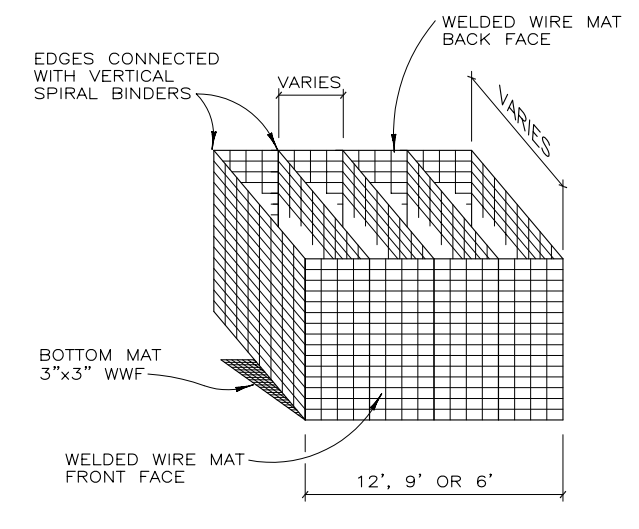


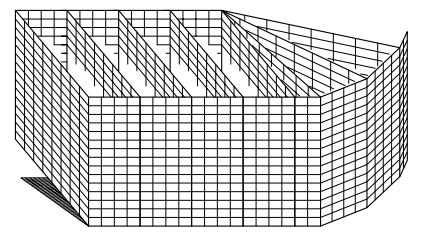
ANGLE COMPONENTS  
(WHERE REQUIRED)



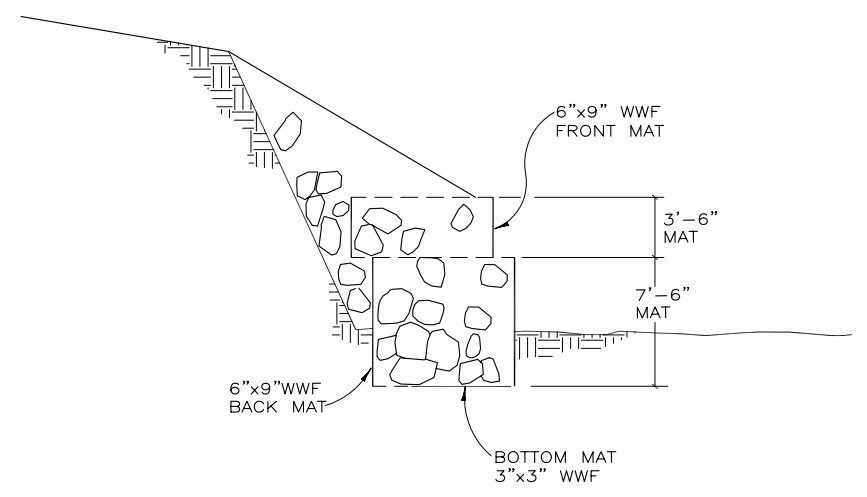
WALL COMPONENT DIMENSIONS



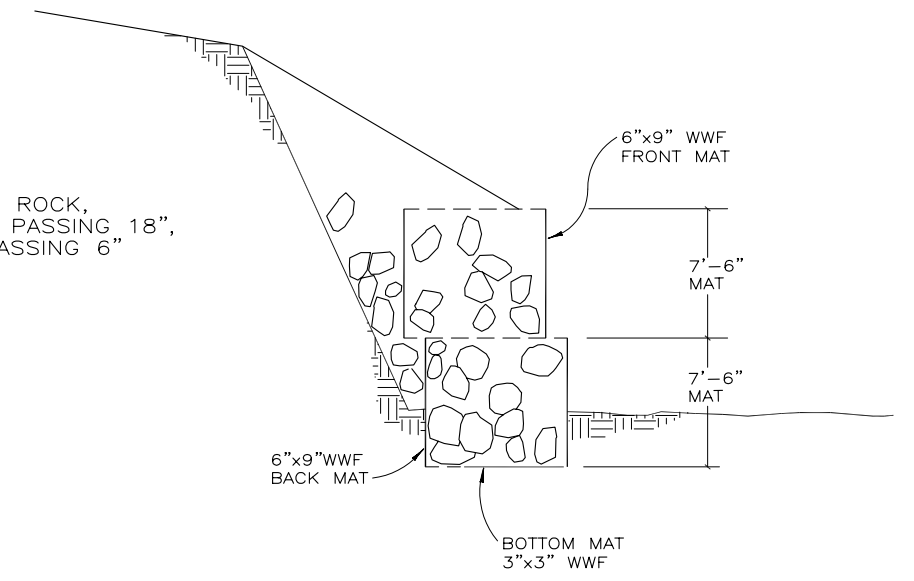
SHOP ASSEMBLY



ANGLE DETAIL  
(WHERE REQUIRED)



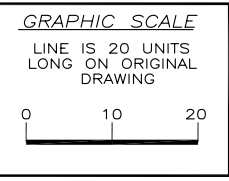
SECTION AT 11' TALL WALL



SECTION AT 15' TALL WALL

THIS DRAWING IS FURNISHED SOLELY FOR THE USE OF OR IN CONNECTION WITH THIS PROJECT, AND THE PROPRIETARY INFORMATION SHOWN HEREON IS NOT TO BE TRANSMITTED TO ANY OTHER ORGANIZATION WITHOUT SPECIFIC AUTHORIZATION BY THE HILFIKER COMPANY. HILFIKER RETAINING WALLS ARE PROTECTED BY ONE OR MORE OF THE FOLLOWING PATENTS: 243,613, 243,697, 288,616, 4,117,686, 4,329,089, 4,324,508, 4,391,557, 4,505,621, 4,643,618, 4,661,023, 4,856,939, 5,076,735, 5,647,695, 5,722,799, 6,357,970 AND OTHERS. OTHER PATENTS PENDING (2004)

REV. NO.	DATE	BY	DESCRIPTION
1	1/99	DR	REVISED BORDER
2	8/99	DR	ADDED FILL SIZE
3	1/03	KJ	REVISED BORDER, ADDED ANGLE DETAIL



PROJ. MGR.  
ENGINEER  
CADD BY  
DR

**HILFIKER RETAINING WALLS**  
3900 Broadway Eureka, CA 95503  
P.O. Box 2012 Eureka, CA 95501  
707-443-5093 Fax 707-443-2891  
Toll-Free 800-762-8962  
Web: <http://hilfiker.com> email: [info@hilfiker.com](mailto:info@hilfiker.com)



DWG DATE  
6 MAY 97  
REVISION DATE  
2 JAN 03  
SCALE  
NONE

STANDARD DRAWING  
WELDED WIRE RETAINING WALL  
TRINITY WALL  
SECTION, DETAILS AND NOTES

PROJECT NO.  
SHEET  
1  
OF 1