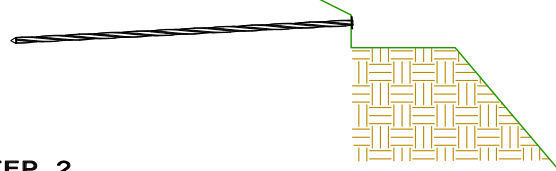
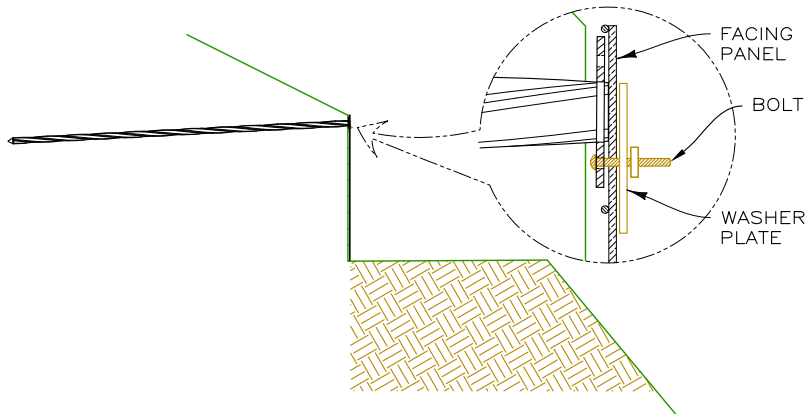


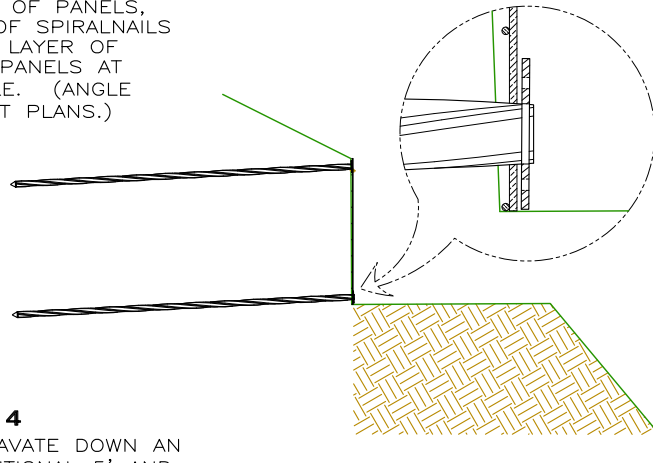
STEP 1
EXCAVATE TOP OF WALL AND DRIVE FIRST LAYER OF SPIRALNAILS USING HILFIKER SPIRALNAIL HAMMER



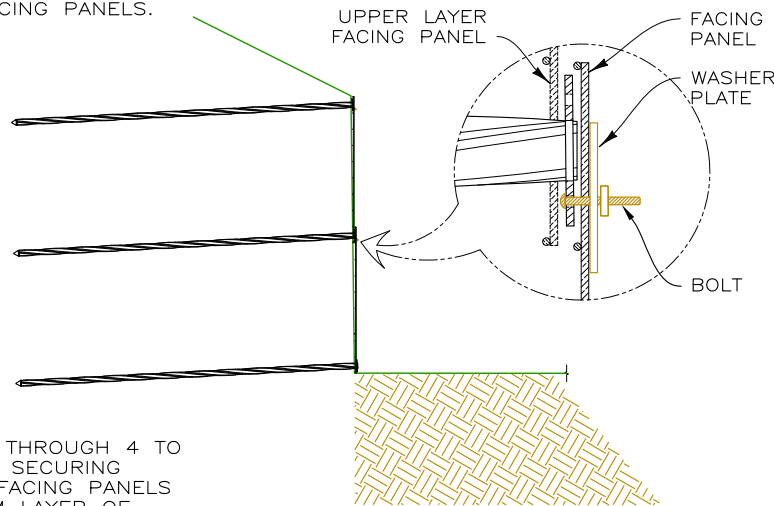
STEP 2
EXCAVATE DOWN 5' AND PLACE LAYER OF FACING PANELS. ATTACH TOP OF FACING PANELS TO PREVIOUS LAYER OF SPIRALNAIL HEADS WITH BOLTS AND PLATE WASHERS.



STEP 3
TO SECURE BOTTOM OF PANELS, DRIVE NEXT LAYER OF SPIRALNAILS THROUGH PREVIOUS LAYER OF WIRE MESH FACING PANELS AT THE REQUIRED ANGLE. (ANGLE VARIES PER PROJECT PLANS.)

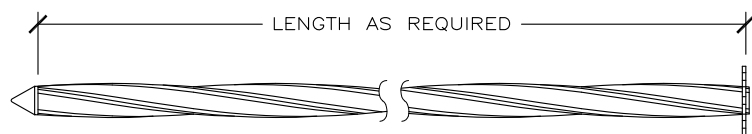


STEP 4
EXCAVATE DOWN AN ADDITIONAL 5' AND PLACE ANOTHER LAYER OF FACING PANELS.

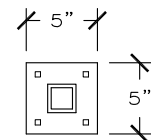


STEP 5
REPEAT STEPS 3 THROUGH 4 TO BOTTOM OF WALL SECURING FINAL LAYER OF FACING PANELS WITH THE BOTTOM LAYER OF SPIRALNAILS.

TOP DOWN SPIRALNAIL CONSTRUCTION SEQUENCE

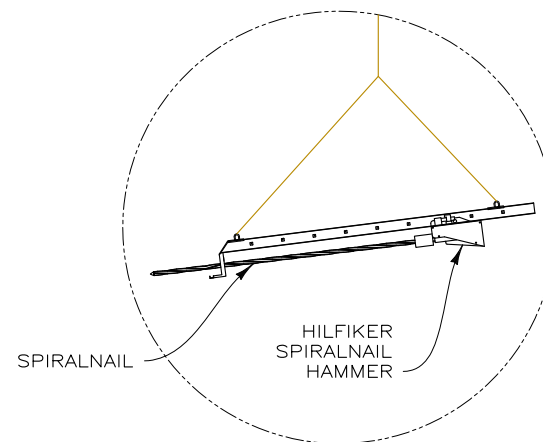


SIDE VIEW

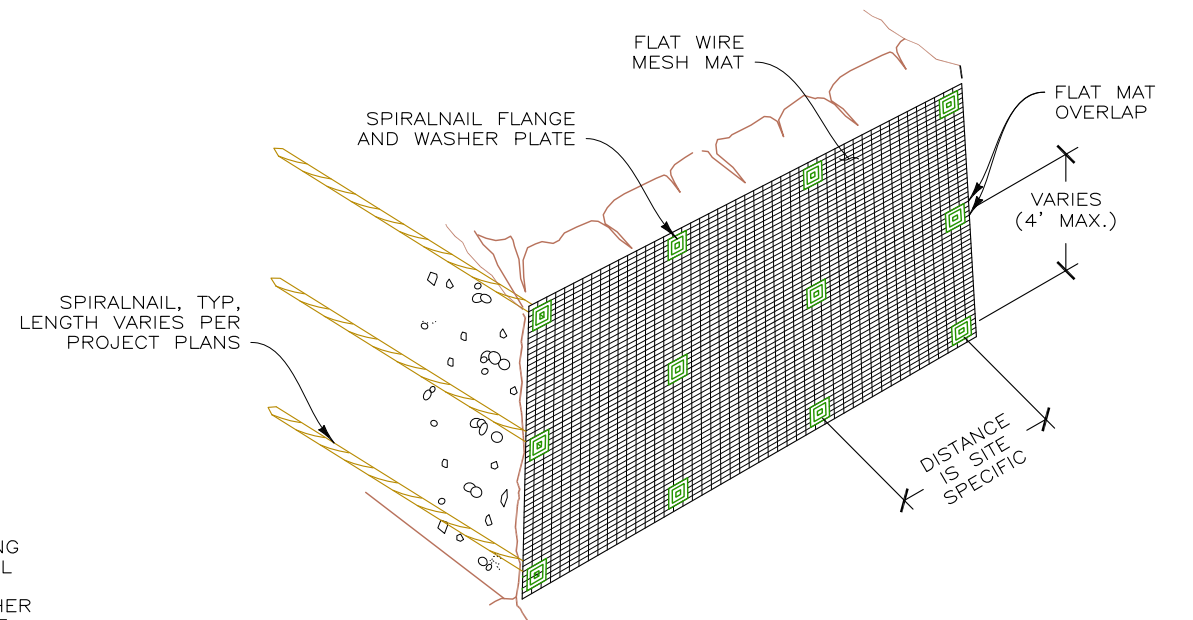


NAIL HEAD

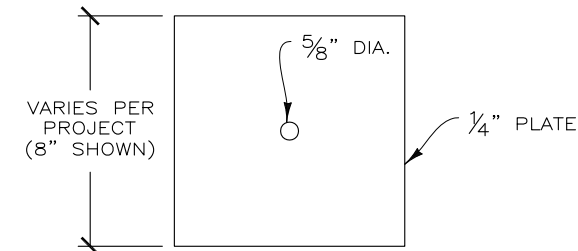
SPIRAL NAIL
NOT TO SCALE



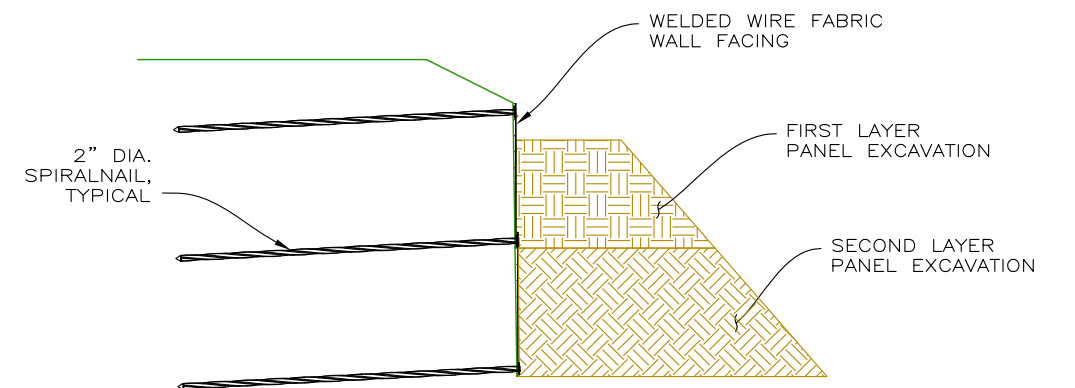
HILFIKER SPIRALNAIL HAMMER
NOT TO SCALE



PICTORIAL ELEVATION
NOT TO SCALE



WASHER PLATE DETAIL
NOT TO SCALE

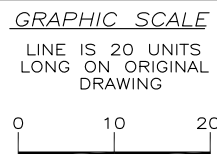


VERTICAL EXCAVATION DETAIL
SCALE: 3"=20'

SPIRALNAIL VERTICAL SN CONSTRUCTION

THIS DRAWING IS FURNISHED SOLELY FOR THE USE OF OR IN CONNECTION WITH THIS PROJECT AND THE PROPRIETARY INFORMATION SHOWN HEREON IS NOT TO BE TRANSMITTED TO ANY OTHER ORGANIZATION WITHOUT SPECIFIC AUTHORIZATION BY THE HILFIKER COMPANY. HILFIKER RETAINING WALLS ARE PROTECTED BY ONE OR MORE OF THE FOLLOWING PATENTS: 2,433,613; 2,433,697; 2,886,616; 4,117,686; 4,329,089; 4,324,508; 4,391,557; 4,505,621; 4,343,318; 4,661,023; 4,856,939; 4,929,125; 5,076,735; 5,647,695; 5,722,799; 5,733,072; 6,357,970B1; 6,874,975B2; 7,033,118B2; AND OTHERS. OTHER PATENTS PENDING (2008)

REV.NO.	DATE	BY	DESCRIPTION
3	1 APR 11	AMJ	REVISED SPIRALNAIL ANGLE OF INSERTION
4	8 FEB 12	AMJ	CHANGED CONSTRUCTION SEQUENCE
5	2 MAR 12	AMJ	ADDED WASHER PLATE DETAIL
6	10 MAR 15	AMJ	REVISED SPIRALNAIL TIP, MINOR CHANGES



PROJ.MGR.
HKH/BH
ENGINEER
CADD BY
HRW

HILFIKER RETAINING WALLS

1902 Hilfiker Lane
Eureka, CA 95503-5711
TOLL-FREE 800.762.8962
PH 707.443.5093 FAX 707.443.2891
WEB SITE www.hilfiker.com E-MAIL Info@hilfiker.com

DWG DATE
11 MAR 05
REVISION DATE
10 MAR 15
SCALE
NOTED

STANDARD DRAWING
VERTICAL SPIRALNAIL CONSTRUCTION
CONSTRUCTION GUIDE AND DETAILS

PROJECT NO.
--
SHEET
1
OF 1