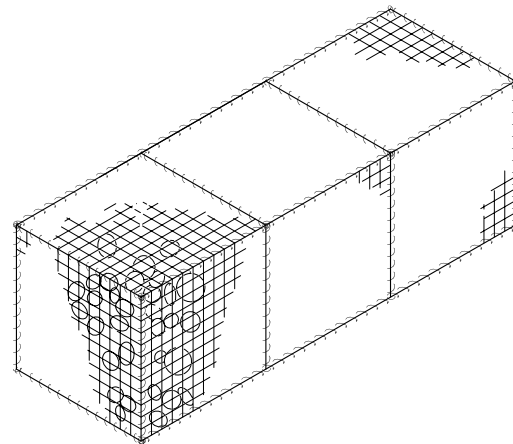
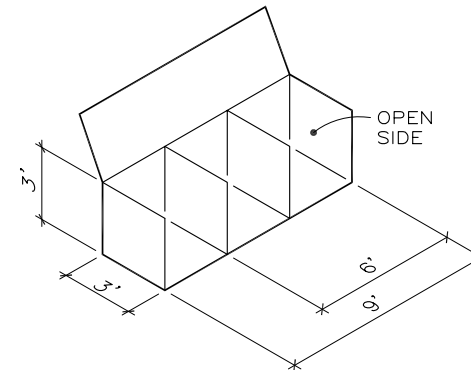


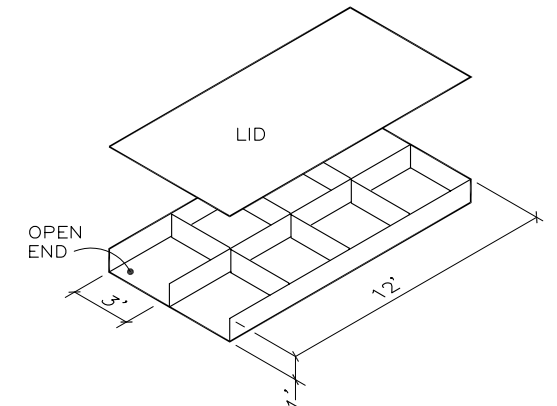
TYPICAL GABION
NOT TO SCALE



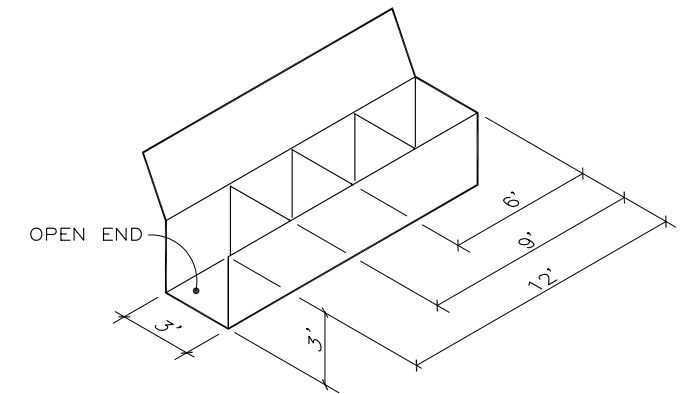
TYPICAL ASSEMBLED GABION
NOT TO SCALE



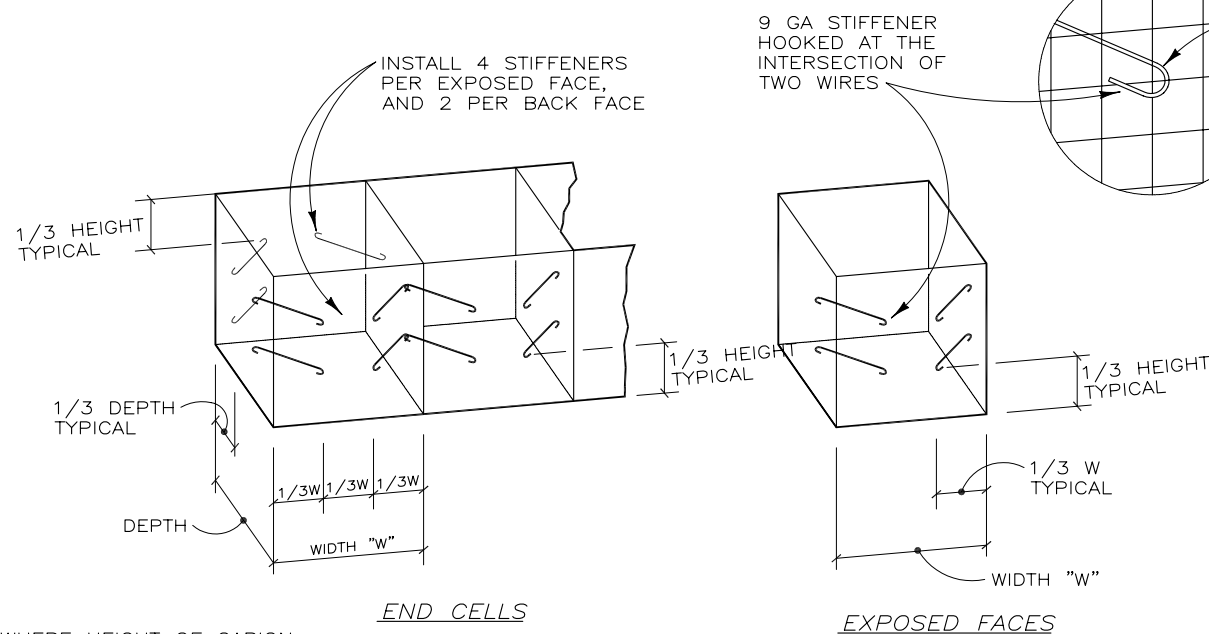
NOTE: SIZES CAN VARY
TYPICAL OPEN SIDE
NOT TO SCALE



NOTE: SIZES CAN VARY
TYPICAL MATTRESS
NOT TO SCALE



NOTE: SIZES CAN VARY
TYPICAL OPEN END
NOT TO SCALE



INSTALL 4 STIFFENERS PER EXPOSED FACE, AND 2 PER BACK FACE

9 GA STIFFENER HOOKED AT THE INTERSECTION OF TWO WIRES

CRIMP HOOK CLOSED

END CELLS

STIFFENER DETAILS
NOT TO SCALE

STANDARD GABION SIZES

SIZE LxWxH	CU.YD.	SIZE LxWxH	CU.YD.	SIZE LxWxH	CU.YD.
3 x 3 x 3	1	3 x 3 x 1.5	0.5	3 x 3 x 1	0.33
6 x 3 x 3	2	6 x 3 x 1.5	1	6 x 3 x 1	0.67
9 x 3 x 3	3	9 x 3 x 1.5	1.5	9 x 3 x 1	1
12 x 3 x 3	4	12 x 3 x 1.5	2	12 x 3 x 1	1.33
6 x 6 x 3	4	6 x 6 x 1.5	2	6 x 6 x 1	1.33
9 x 6 x 3	6	9 x 6 x 1.5	3	9 x 6 x 1	2
12 x 6 x 3	8	12 x 6 x 1.5	4	12 x 6 x 1	2.67
24 x 6 x 3	16	24 x 6 x 1.5	8	24 x 6 x 1	5.33

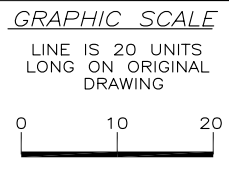
NOTES

- GABION SIZES ARE EXPRESSED IN FEET.
- MATTRESSES AND CUSTOM SIZES PROVIDED ON REQUEST.
- GABIONS WHICH ARE TO BE CONNECTED TOGETHER SIDE-TO-SIDE OR END-TO-END, MAY BE PROVIDED OPEN-SIDED OR OPEN-ENDED AS SHOWN TO REDUCE WEIGHT, COST, AND ASSEMBLY TIME.
- GABIONS ARE MANUFACTURED OF 3"x3" WELDED WIRE MESH, 9 GA. WITH 0.9 OZ/SF ZINC COATING, OR 11 GA. WITH 0.85 OZ/SF ZINC COATING. OPTIONAL 2.0 OZ/SF ZINC COATING IS AVAILABLE ON REQUEST.

STANDARD GABION DETAILS

WHERE HEIGHT OF GABION IS 18" OR LESS, INSTALL 2 STIFFENERS PER FACE
WHERE HEIGHT IS 12", NO STIFFENERS REQUIRED

REV.NO.	DATE	BY	DESCRIPTION
1	6/16/98	DR	REVISED ZINC COATING THICKNESS
2	4/12/02	DR	UPDATED BORDER
3	15 NOV 06	AMJ	UPDATED BORDER
4	12 SEP 07	AMJ	UPDATED BORDER, MINOR CHANGES
5	11 NOV 07	JTE	MINOR CHANGES



PROJ.MGR.
ENGINEER
CADD BY
DR/AMJ

HILFIKER RETAINING WALLS

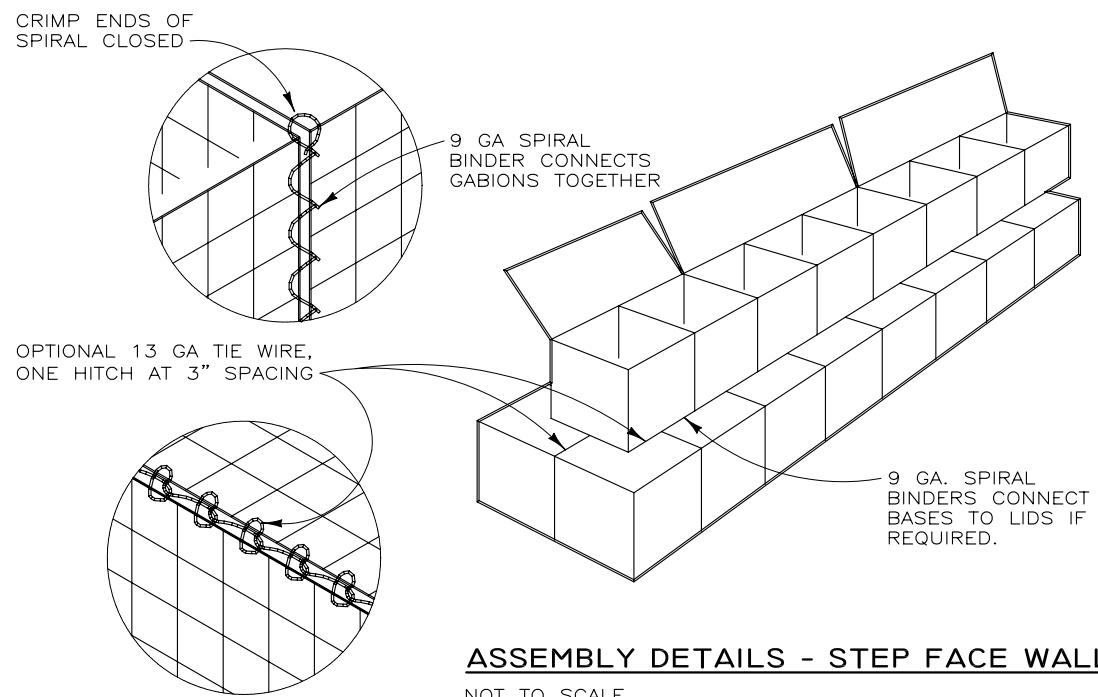
1902 Hilfiker Lane
Eureka, CA 95503-5711
TOLL-FREE 800.762.8962
PH 707.443.5093 FAX 707.443.2891
WEB SITE www.hilfiker.com E-MAIL info@hilfiker.com

SINCE 1902
QUALITY PRODUCTS

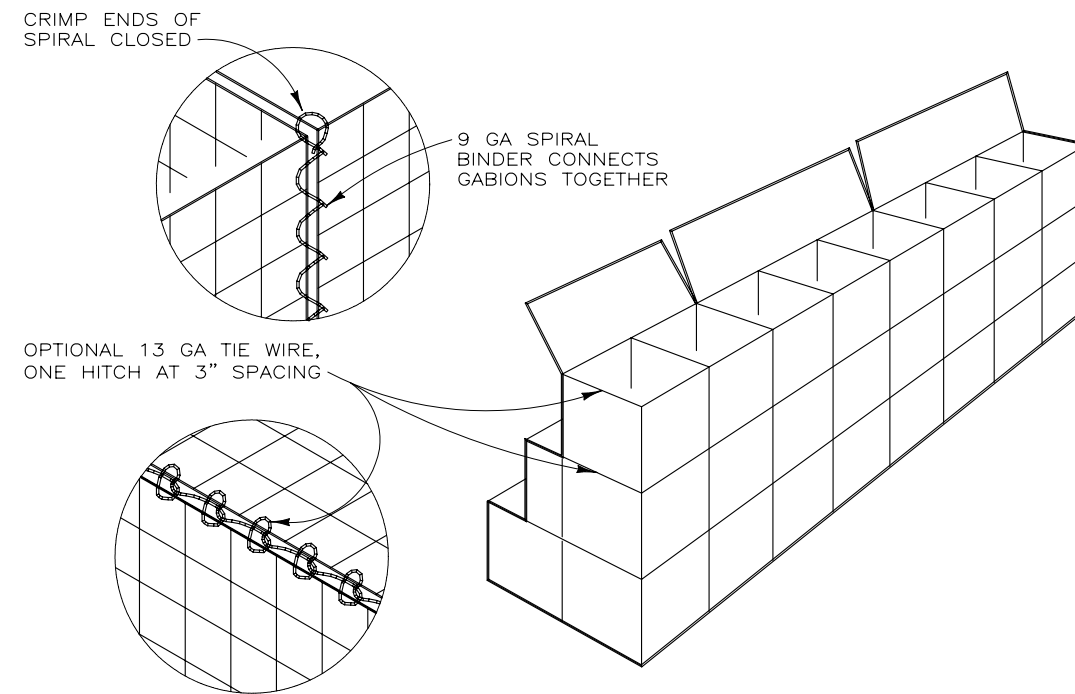
DWG DATE
17 JUL 95
REVISION DATE
12 SEP 07
SCALE
NOTED

STANDARD DRAWING	PROJECT NO.
ARTWELD GABIONS	SHEET 1
DETAILS AND NOTES	OF 2

STANDARD GABION DETAILS



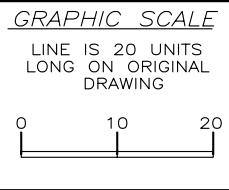
ASSEMBLY DETAILS - STEP FACE WALL
NOT TO SCALE



ASSEMBLY DETAILS - VERTICAL WALL
NOT TO SCALE

THIS DRAWING IS FURNISHED SOLELY FOR THE USE OF OR IN CONNECTION WITH THIS PROJECT, AND THE PROPRIETARY INFORMATION SHOWN HEREON IS NOT TO BE TRANSMITTED TO ANY OTHER ORGANIZATION WITHOUT SPECIFIC AUTHORIZATION BY THE HILFIKER COMPANY. HILFIKER RETAINING WALLS ARE PROTECTED BY ONE OR MORE OF THE FOLLOWING PATENTS: 243,613, 243,697, 288,616, 4,117,686, 4,329,089, 4,324,508, 4,391,557, 4,505,621, 4,643,618, 4,661,023, 4,856,939, 5,076,735, 5,647,695, 5,722,799, 6,357,970 AND OTHERS. OTHER PATENTS PENDING (2004)

REV. NO.	DATE	BY	DESCRIPTION
1	6/16/98	DR	REVISED ZINC COATING THICKNESS
2	4/12/02	DR	UPDATED BORDER
3	15 NOV 06	AMJ	UPDATED BORDER
4	12 SEP 07	AMJ	UPDATED BORDER, MINOR CHANGES
5	11 NOV 07	JTE	MINOR CHANGES



PROJ. MGR.
ENGINEER
CADD BY
DR/AMJ

HILFIKER RETAINING WALLS

1902 Hilfiker Lane
Eureka, CA 95503-5711
TOLL-FREE 800.762.8962
PH 707.443.5093 FAX 707.443.2891
WEB SITE www.hilfiker.com E-MAIL info@hilfiker.com

DWG DATE
17 JUL 95
REVISION DATE
12 SEP 07
SCALE
NOTED

STANDARD DRAWING
ARTWELD GABIONS
DETAILS AND NOTES

PROJECT NO.
SHEET
2
OF 2