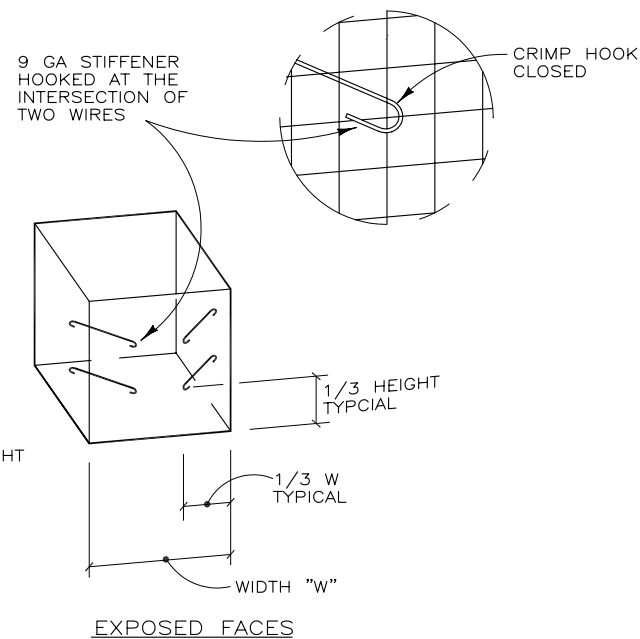
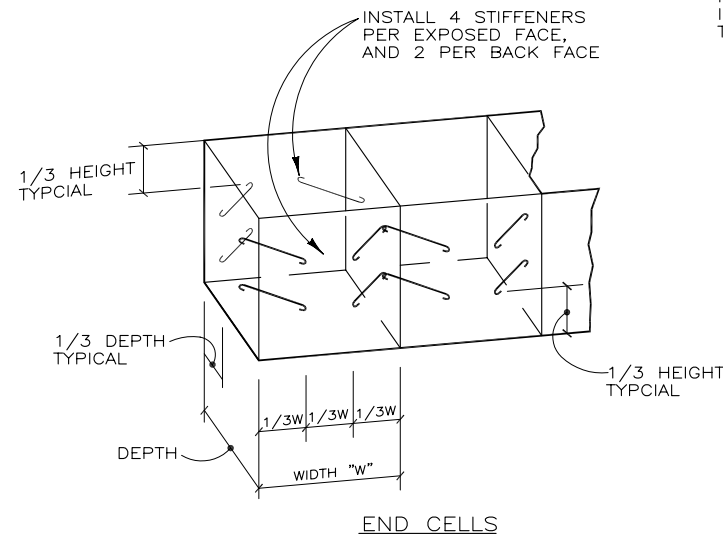


**STANDARD GABION SIZES**

SIZE LxWxH	CU.M	SIZE LxWxH	CU.M	SIZE LxWxH	CU.M
1 x 1 x 1	1	1 x 1 x 0.5	0.5	1 x 1 x 0.33	0.33
2 x 1 x 1	2	2 x 1 x 0.5	1	2 x 1 x 0.33	0.67
3 x 1 x 1	3	3 x 1 x 0.5	1.5	3 x 1 x 0.33	1
4 x 1 x 1	4	4 x 1 x 0.5	2	4 x 1 x 0.33	1.33
2 x 2 x 1	4	2 x 2 x 0.5	2	2 x 2 x 0.33	1.33
3 x 2 x 1	6	3 x 2 x 0.5	3	3 x 2 x 0.33	2
4 x 2 x 1	8	4 x 2 x 0.5	4	4 x 2 x 0.33	2.67
8 x 2 x 1	16	8 x 2 x 0.5	8	8 x 2 x 0.33	5.33

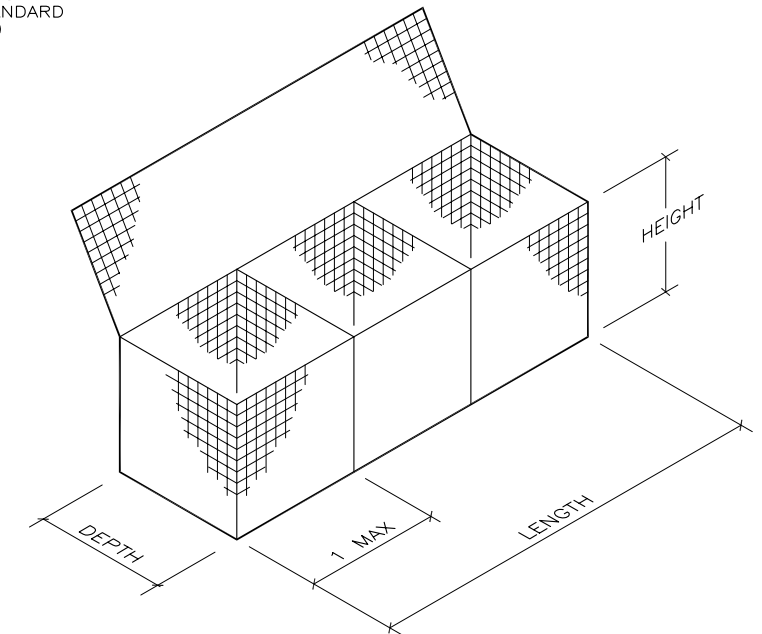
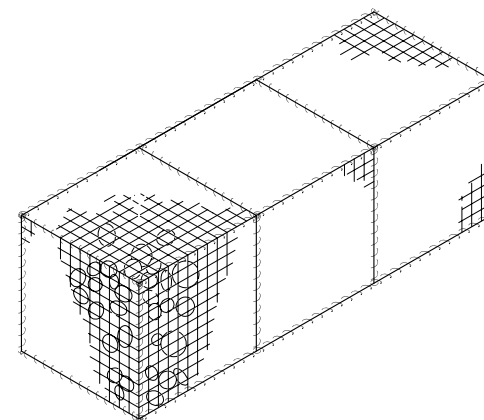
**NOTES**

- GABION SIZES ARE EXPRESSED IN METERS.
- MATTRESSES AND CUSTOM SIZES PROVIDED ON REQUEST.
- GABIONS WHICH ARE TO BE CONNECTED TOGETHER SIDE TO SIDE, OR END TO END, MAY BE PROVIDED OPEN-SIDE OR OPEN-END AS SHOWN, TO REDUCE WEIGHT, COST AND ASSEMBLY TIME.
- GABIONS ARE MANUFACTURED OF 83mm X 83mm WELDED WIRE MESH, 9 GA. OR 11 GA., STANDARD 0.8 OZ/S.F. ZINC COATING. OPTIONAL 2.0 OZ/S.F. ZINC COATING IS AVAILABLE ON REQUEST.



**STIFFENER DETAILS**

WHERE HEIGHT OF GABION IS 0.5M OR LESS, INSTALL 2 STIFFENERS PER FACE  
WHERE HEIGHT IS 1/3M NO STIFFENERS REQUIRED



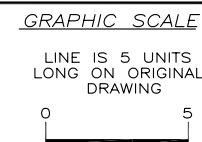
**TYPICAL ASSEMBLED GABION**

**TYPICAL GABION**

ALL DIMENSIONS ARE IN METERS UNLESS SHOWN OTHERWISE

THIS DRAWING IS FURNISHED SOLELY FOR THE USE OF OR IN CONNECTION WITH THIS PROJECT, AND THE PROPRIETARY INFORMATION SHOWN HEREON IS NOT TO BE TRANSMITTED TO ANY OTHER ORGANIZATION WITHOUT SPECIFIC AUTHORIZATION BY THE HILFIKER COMPANY. HILFIKER RETAINING WALLS ARE PROTECTED BY ONE OR MORE OF THE FOLLOWING PATENTS: 243,613, 243,637, 288,616, 4,117,686, 4,329,089, 4,324,508, 4,391,557, 4,505,621, 4,643,618, 4,661,023, 4,856,939, 5,076,735, 5,647,695, 5,722,799, 6,357,970 AND OTHERS. OTHER PATENTS PENDING (2004)

REV.NO.	DATE	BY	DESCRIPTION
1	4/12/02	DR	UPDATED BORDER



PROJ.MGR.  
ENGINEER  
CADD BY  
DR

**HILFIKER RETAINING WALLS**  
3900 Broadway Eureka, CA 95503  
P.O. Box 2012 Eureka, CA 95501  
707-443-5093 Fax 707-443-2891  
Toll-Free 800-762-8962  
Web: <http://hilfiker.com> email: [info@hilfiker.com](mailto:info@hilfiker.com)



DWG DATE  
17 SEPT 97  
REVISION DATE  
12 APR 02  
SCALE  
NOTED

STANDARD DRAWING  
ARTWELD GABIONS, METRIC

PROJECT NO.  
SHEET  
1  
OF 1

STDGABMT