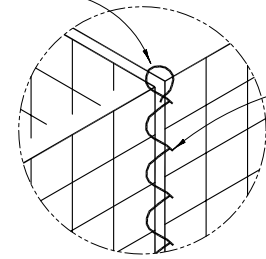


STANDARD GABION SIZES
(IN MILLIMETERS AND CU. METERS)

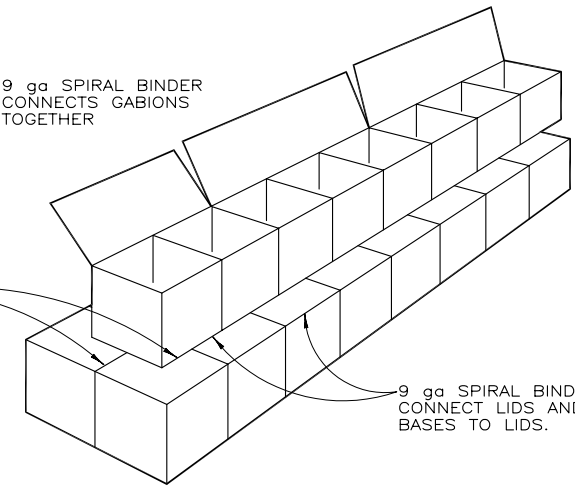
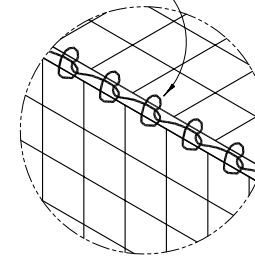
SIZE LxWxH	CU.M.	SIZE LxWxH	CU.M.	SIZE LxWxH	CU.M.
914x914x914	.765	914x914x457	.382	914x914x305	.255
1829x914x914	1.529	1829x914x457	.765	1829x914x305	.510
2743x914x914	2.294	2743x914x457	1.147	2743x914x305	.765
3658x914x914	3.058	3658x914x457	1.529	3658x914x305	1.019
1829x1829x914	3.058	1829x1829x457	1.529	1829x1829x305	1.019
2743x1829x914	4.587	2743x1829x457	2.294	2743x1829x305	1.529
3658x1829x914	6.116	3658x1829x457	3.058	3658x1829x305	2.039
7315x1829x914	12.233	7315x1829x457	6.116	7315x1829x305	4.078

CRIMP ENDS OF SPIRAL CLOSED



9 ga SPIRAL BINDER CONNECTS GABIONS TOGETHER

OPTIONAL 13 ga TIE WIRE, ONE HITCH AT 76 SPACING



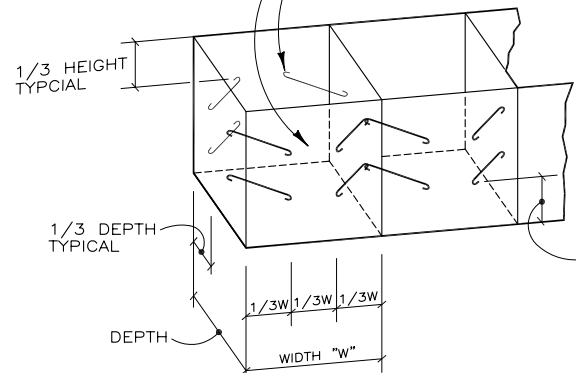
9 ga SPIRAL BINDERS CONNECT LIDS AND BASES TO LIDS.

ASSEMBLY DETAILS

NOTES

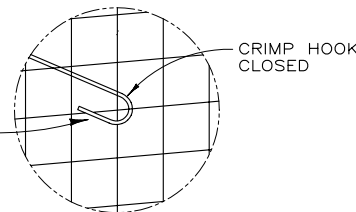
- GABION SIZES ARE EXPRESSED IN MILLIMETERS
- MATTRESSES AND CUSTOM SIZES PROVIDED ON REQUEST.
- GABIONS WHICH ARE TO BE CONNECTED TOGETHER SIDE TO SIDE, OR END TO END, MAY BE PROVIDED OPEN-SIDE OR OPEN-END AS SHOWN, TO REDUCE WEIGHT, COST AND ASSEMBLY TIME.
- GABIONS ARE MANUFACTURED OF 914 X 914 WELDED WIRE MESH, 9 GA. WITH 0.9 OZ/S.F. ZINC COATING, OR 11 GA. WITH 0.85 OZ/S.F. ZINC COATING. OPTIONAL 2.0 OZ/S.F. ZINC COATING IS AVAILABLE ON REQUEST.

INSTALL 4 STIFFENERS PER EXPOSED FACE, AND 2 PER BACK FACE

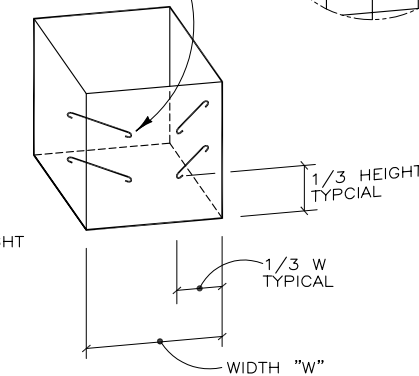


END CELLS

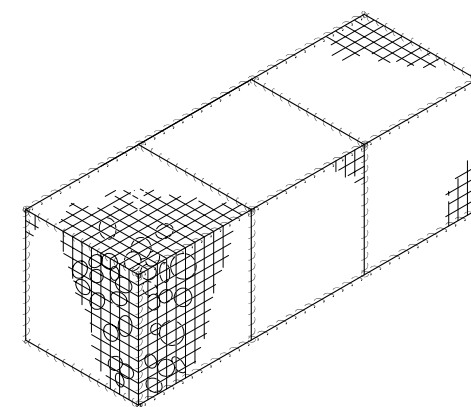
9 GA STIFFENER HOOKED AT THE INTERSECTION OF TWO WIRES



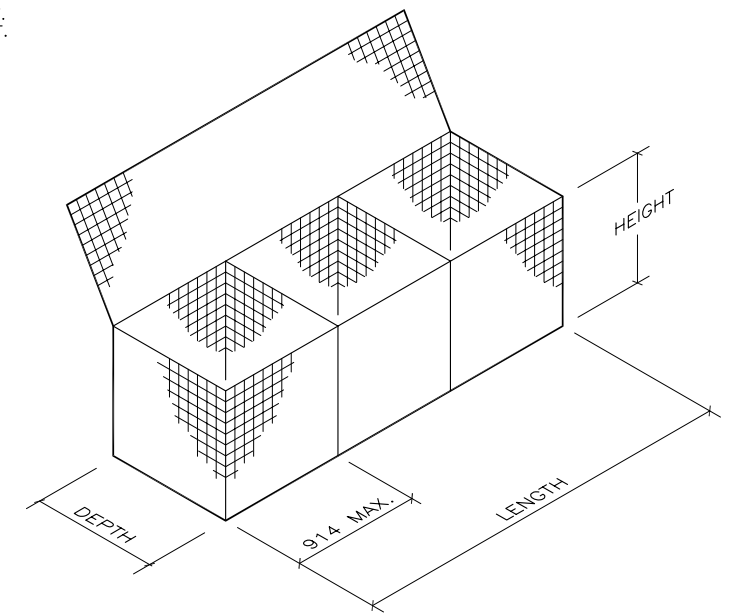
CRIMP HOOK CLOSED



EXPOSED FACES



TYPICAL ASSEMBLED GABION



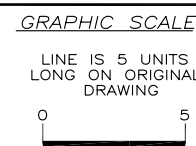
TYPICAL GABION

WHERE HEIGHT OF GABION IS 457 OR LESS, INSTALL 2 STIFFENERS PER FACE
WHERE HEIGHT IS 305, NO STIFFENERS REQUIRED

STIFFENER DETAILS

THIS DRAWING IS FURNISHED SOLELY FOR THE USE OF OR IN CONNECTION WITH THIS PROJECT, AND THE PROPRIETARY INFORMATION SHOWN HEREON IS NOT TO BE TRANSMITTED TO ANY OTHER ORGANIZATION WITHOUT SPECIFIC AUTHORIZATION BY THE HILFIKER COMPANY. HILFIKER RETAINING WALLS ARE PROTECTED BY ONE OR MORE OF THE FOLLOWING PATENTS: 243,613, 243,697, 288,616, 4,117,686, 4,329,089, 4,324,508, 4,391,557, 4,505,621, 4,643,618, 4,661,023, 4,856,939, 5,076,735, 5,647,695, 5,722,799, 6,357,970 AND OTHERS. OTHER PATENTS PENDING (2004)

REV. NO.	DATE	BY	DESCRIPTION
1	04/12/02	DR	UPDATED BORDER



PROJ. MGR.
ENGINEER
CADD BY
DR

HILFIKER RETAINING WALLS
3900 Broadway Eureka, CA 95503
P.O. Box 2012 Eureka, CA 95501
707-443-5093 Fax 707-443-2891
Toll-Free 800-762-8962
Web: <http://hilfiker.com> email: info@hilfiker.com



DWG DATE
4 NOV 99
REVISION DATE
12 APR 02
SCALE

STANDARD METRIC DRAWING
ARTWELD GABIONS
(ENGLISH SIZES, METRIC DIMENSIONED)
DETAILS

PROJECT NO.
SHEET
1
OF 1