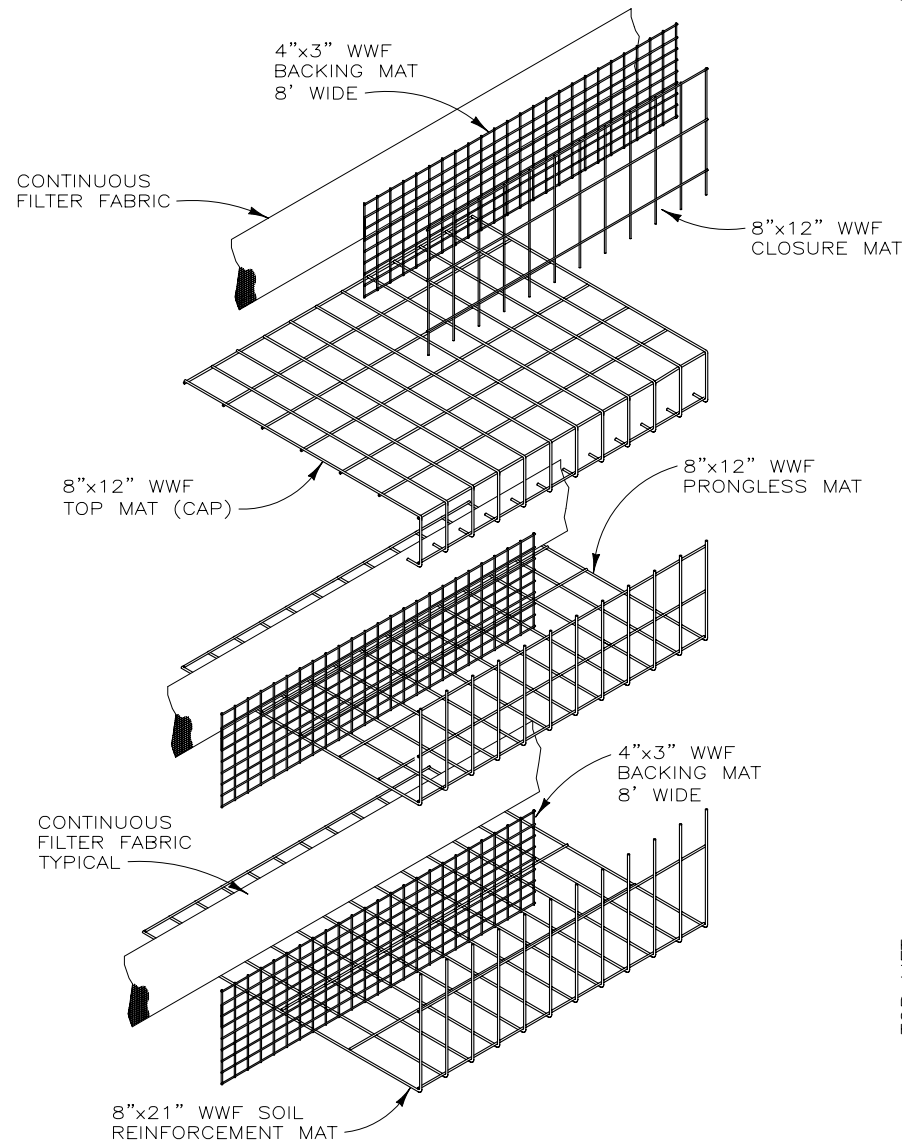
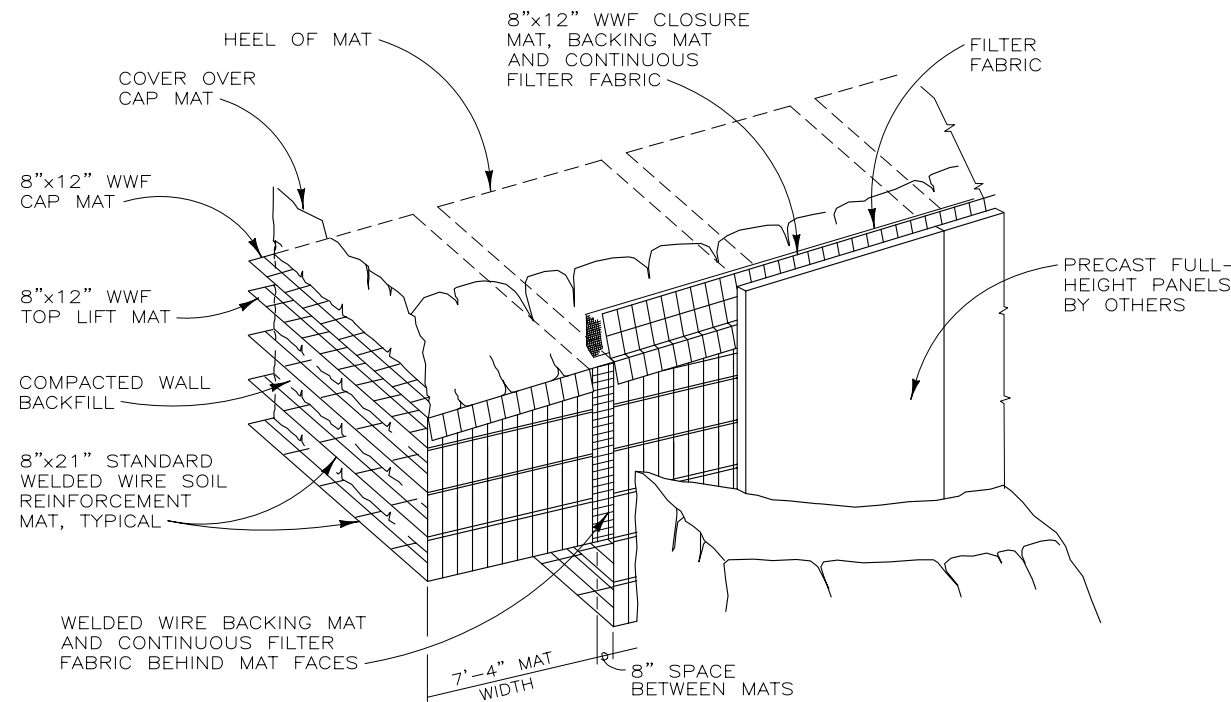


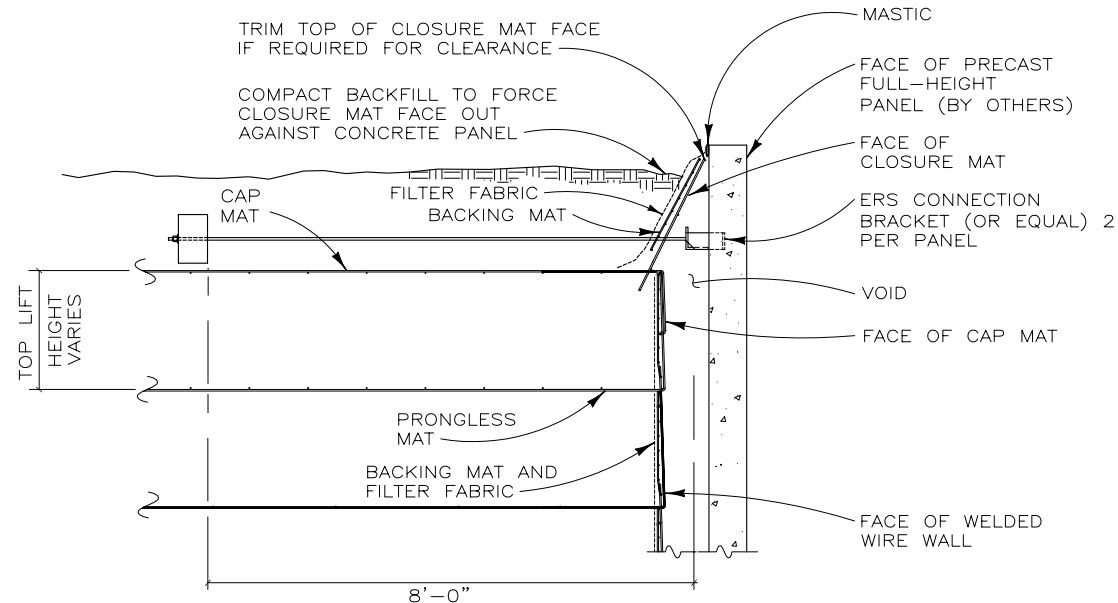
**BOTTOM OF WALL DETAIL**  
NOT TO SCALE



**WALL COMPONENTS**  
NOT TO SCALE



**PICTORIAL ELEVATION**  
NOT TO SCALE



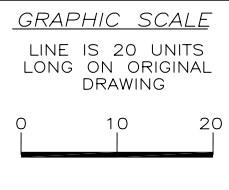
**TOP OF WALL AND PANEL CONNECTION DETAILS**  
NOT TO SCALE

NOTE: METHOD OF ATTACHING PANELS MAY VARY FROM THIS DETAIL. SEE PROJECT PLANS FOR FURTHER DETAILS.

ERS - FULL HEIGHT - 8x21

THIS DRAWING IS FURNISHED SOLELY FOR THE USE OF OR IN CONNECTION WITH THIS PROJECT, AND THE PROPRIETARY INFORMATION SHOWN HEREON IS NOT TO BE TRANSMITTED TO ANY OTHER ORGANIZATION WITHOUT SPECIFIC AUTHORIZATION BY THE HILFIKER COMPANY. HILFIKER RETAINING WALLS ARE PROTECTED BY ONE OR MORE OF THE FOLLOWING PATENTS: 243,613, 243,697, 288,616, 4,117,686, 4,329,089, 4,324,508, 4,391,557, 4,505,621, 4,643,618, 4,661,023, 4,856,939, 5,076,755, 5,647,695, 5,722,799, 6,357,970 AND OTHERS. OTHER PATENTS PENDING (2004)

REV. NO.	DATE	BY	DESCRIPTION
6	5/15/04	DR	REVISED CLOSURE MAT, ADDED BACKING MAT
7	15 NOV 06	AMJ	UPDATED BORDER
8	3 JUL 08	AMJ	REVISED PANEL ANCHOR & LEVELING PAD



PROJ. MGR.

ENGINEER

CADD BY  
HRW

**HILFIKER RETAINING WALLS**

1902 Hilfiker Lane  
Eureka, CA 95503-5711  
TOLL FREE 800 762 8962  
PH 707 443 5093 FAX 707 443 2891  
WEB SITE www.hilfiker.com E MAIL info@hilfiker.com

DWG DATE  
31 AUG 00

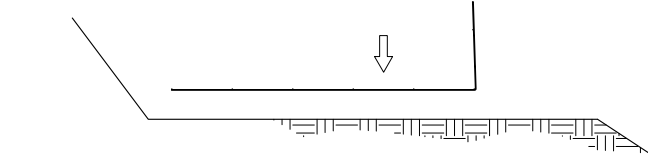
REVISION DATE  
8 JUL 08

SCALE  
NOTED

<b>STANDARD DRAWING</b>	PROJECT NO.
<b>EUREKA REINFORCED SOIL EMBANKMENT</b>	SHEET <b>1</b>
WITH PRECAST FULL-HEIGHT PANELS	OF 2
<b>DETAILS</b>	

**STEP 1**

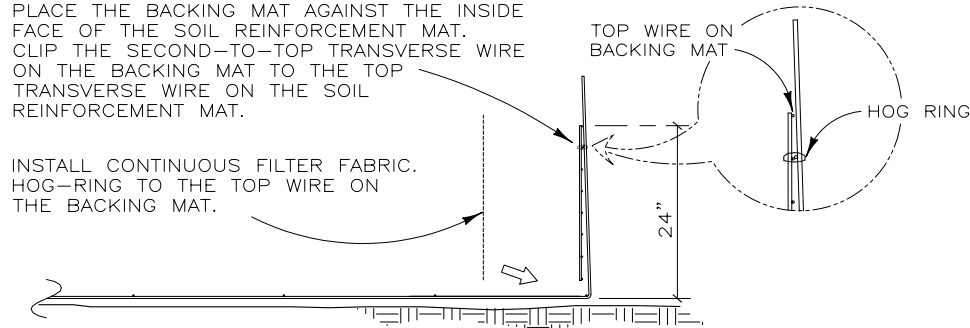
PLACE THE FIRST COURSE OF SOIL REINFORCEMENT MATS ON PREPARED FOUNDATION



**STEP 2**

PLACE THE BACKING MAT AGAINST THE INSIDE FACE OF THE SOIL REINFORCEMENT MAT. CLIP THE SECOND-TO-TOP TRANSVERSE WIRE ON THE BACKING MAT TO THE TOP TRANSVERSE WIRE ON THE SOIL REINFORCEMENT MAT.

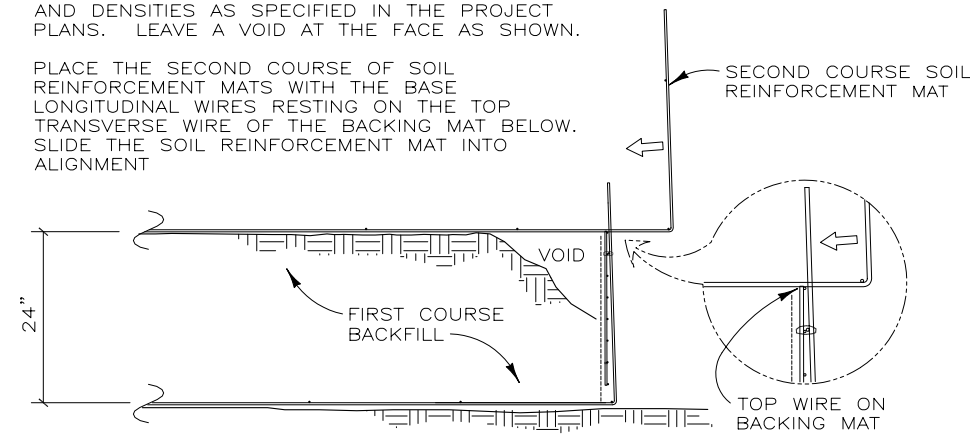
INSTALL CONTINUOUS FILTER FABRIC. HOG-RING TO THE TOP WIRE ON THE BACKING MAT.



**STEP 3**

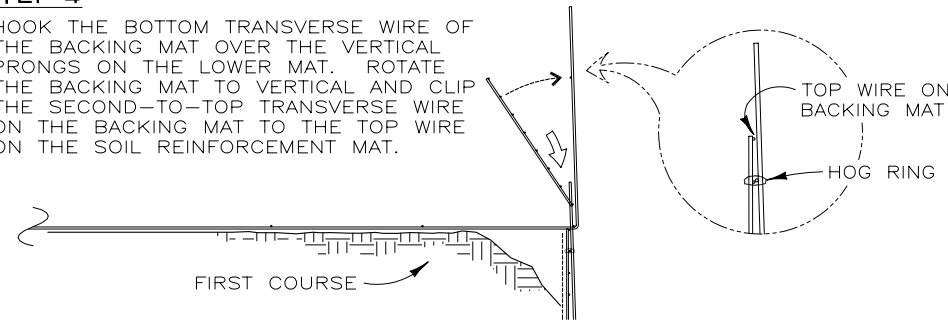
PLACE AND COMPACT THE BACKFILL IN LAYERS AND DENSITIES AS SPECIFIED IN THE PROJECT PLANS. LEAVE A VOID AT THE FACE AS SHOWN.

PLACE THE SECOND COURSE OF SOIL REINFORCEMENT MATS WITH THE BASE LONGITUDINAL WIRES RESTING ON THE TOP TRANSVERSE WIRE OF THE BACKING MAT BELOW. SLIDE THE SOIL REINFORCEMENT MAT INTO ALIGNMENT



**STEP 4**

HOOK THE BOTTOM TRANSVERSE WIRE OF THE BACKING MAT OVER THE VERTICAL PRONGS ON THE LOWER MAT. ROTATE THE BACKING MAT TO VERTICAL AND CLIP THE SECOND-TO-TOP TRANSVERSE WIRE ON THE BACKING MAT TO THE TOP WIRE ON THE SOIL REINFORCEMENT MAT.

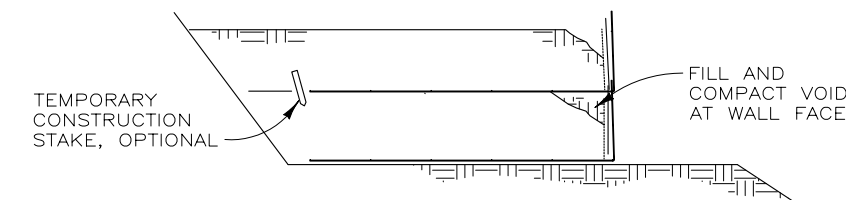


**STEP 5**

INSTALL FILTER FABRIC BEHIND THE BACKING MATS.

PLACE AND COMPACT THE BACKFILL TO THE BASE ELEVATION OF THE NEXT MAT.

REPEAT STEPS 3 THRU 5 TO THE TOP LIFT.

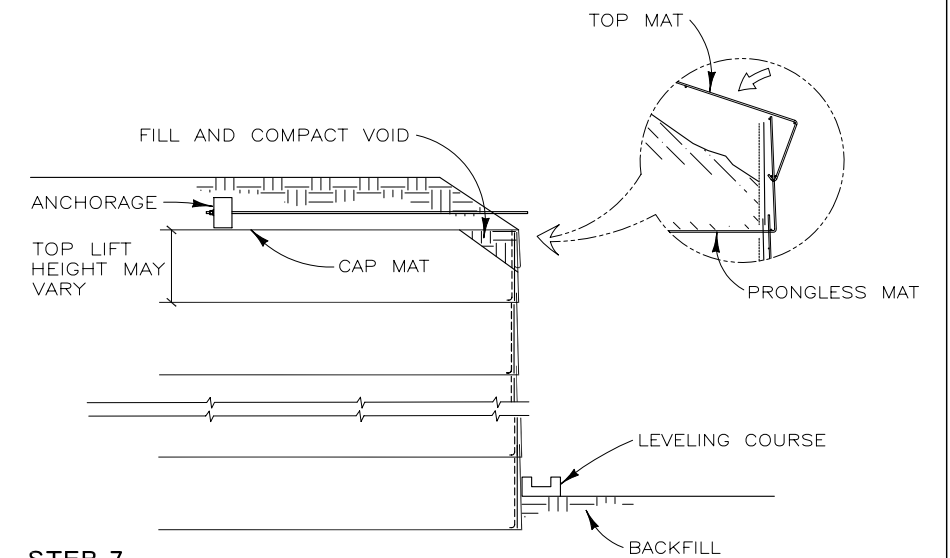
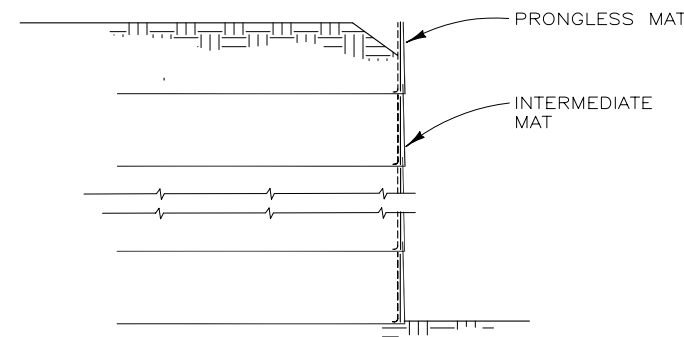


**STEP 6**

PLACE THE TOP LIFT PRONGLESS MAT, BACKING MAT AND FILTER FABRIC.

CUT OFF HEIGHT OF PRONGLESS MAT FACE AND FILTER FABRIC, IF REQUIRED, TO PARALLEL FINISHED GRADE.

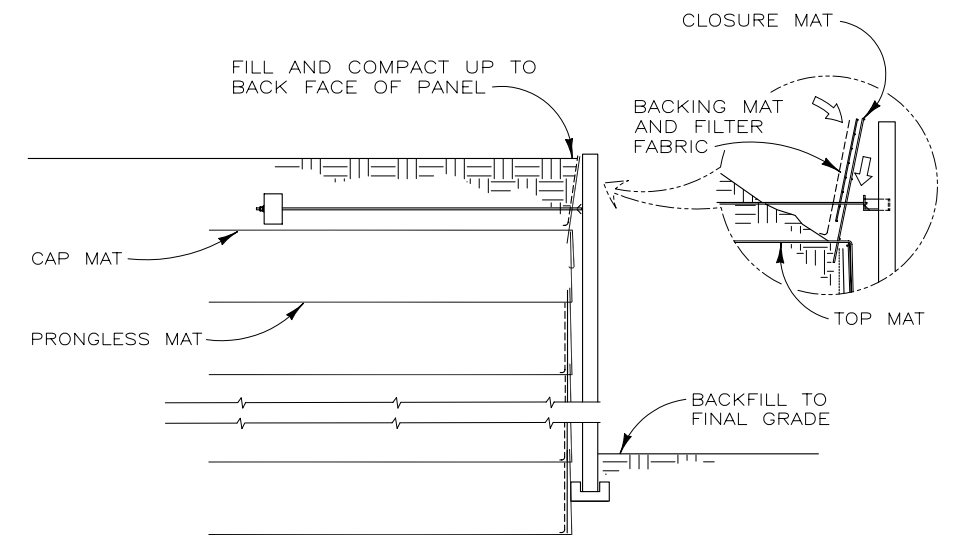
PLACE AND COMPACT THE BACKFILL IN THE PRONGLESS MAT LIFT.



**STEP 7**

INSTALL THE CAP MAT OVER THE COMPACTED BACKFILL. INSTALL THE PANEL ANCHORAGES TO THE SPACING SHOWN IN THE PROJECT PLANS. BACKFILL TO 1'-6" MINIMUM COVER OVER THE TOP MAT.

BACKFILL AT THE TOE TO THE ELEVATION OF THE BOTTOM OF THE LEVELING COURSE. FORM THE LEVELING COURSE WITH KEYWAY, AS SHOWN IN THE PROJECT PLANS.



**STEP 8**

PLACE THE BOTTOM OF THE PRECAST FULL-HEIGHT PANEL INTO THE KEYWAY ON THE LEVELING COURSE. RAISE THE PANEL TO VERTICAL AND ATTACH TO THE PANEL ANCHORAGE.

PUSH PRONGS OF THE CLOSURE MAT INTO SOIL BEHIND THE BEND IN THE TOP MAT AND ROTATE TOP OF THE CLOSURE MAT FORWARD UNTIL IT CONTACTS THE BACK OF THE PANEL. PLACE BACKING MATS AND FILTER FABRIC BEHIND CLOSURE MATS AND BACKFILL.

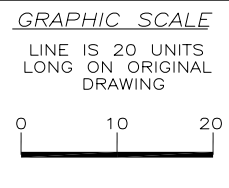
BACKFILL AT TOE TO FINAL GRADE. FINISH THE TOP OF THE WALL PER PROJECT PLANS.

**ERS RETAINING WALL CONSTRUCTION SEQUENCE**  
NOT TO SCALE

ERS - FULL HEIGHT - 8x21

THIS DRAWING IS FURNISHED SOLELY FOR THE USE OF OR IN CONNECTION WITH THIS PROJECT, AND THE PROPRIETARY INFORMATION SHOWN HEREON IS NOT TO BE TRANSMITTED TO ANY OTHER ORGANIZATION WITHOUT SPECIFIC AUTHORIZATION BY THE HILFIKER COMPANY. HILFIKER RETAINING WALLS ARE PROTECTED BY ONE OR MORE OF THE FOLLOWING PATENTS: 243,613, 243,697, 288,616, 4,117,686, 4,329,089, 4,324,508, 4,391,557, 4,505,621, 4,643,618, 4,661,023, 4,856,939, 5,076,755, 5,647,695, 5,722,799, 6,357,970 AND OTHERS. OTHER PATENTS PENDING (2004)

REV.NO.	DATE	BY	DESCRIPTION
6	5/15/04	DR	REVISED CLOSURE MAT, ADDED BACKING MAT
7	15 NOV 06	AMJ	UPDATED BORDER
8	3 JUL 08	AMJ	REVISED PANEL ANCHOR & LEVELING PAD



PROJ.MGR.  
ENGINEER  
CADD BY  
HRW

**HILFIKER RETAINING WALLS**

1902 Hilfiker Lane  
Eureka, CA 95503-5711  
TOLL FREE 800 762 8962  
PH 707 443 5093 FAX 707 443 2891  
WEB SITE www.hilfiker.com E MAIL info@hilfiker.com

DWG DATE  
31 AUG 00  
REVISION DATE  
8 JUL 08  
SCALE  
NOTED

**STANDARD DRAWING**  
**EUREKA REINFORCED SOIL EMBANKMENT**  
WITH PRECAST FULL-HEIGHT PANELS  
**CONSTRUCTION SEQUENCE**

PROJECT NO.  
SHEET  
**2**  
OF 2