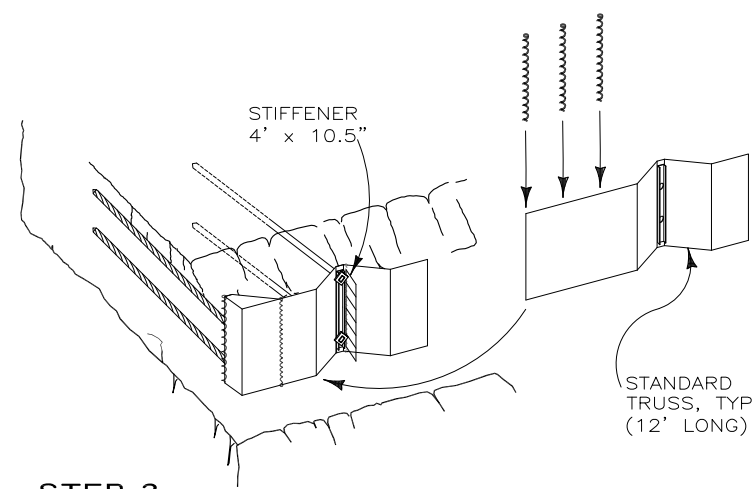


STEP 1

PLACE FIRST TRUSS AGAINST PREPARED SLOPE.

PLACE THE CHANNEL AGAINST THE EDGE OF THE TRUSS AND DRIVE THE SPIRALNAIL THROUGH THE CHANNEL INTO THE SOIL.

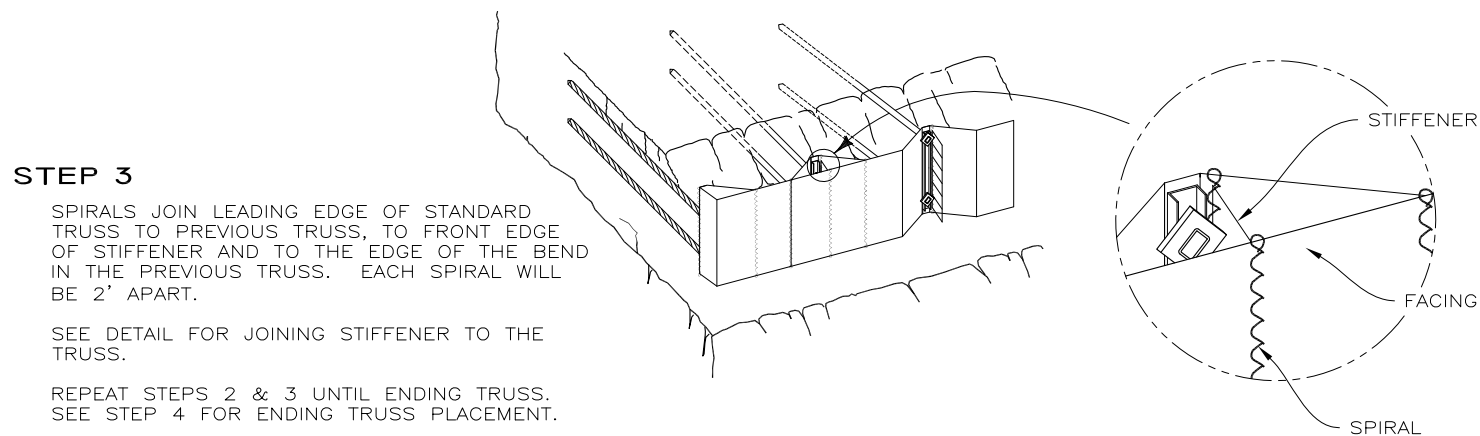
PLACE THE SECOND TRUSS OVER THE FIRST TRUSS USING SPIRALS TO CONNECT THE MATS AS SHOWN.



STEP 2

BEFORE DRIVING THE SPIRALNAIL INTO PLACE, ATTACH STIFFENER BESIDE THE CHANNEL WITH A SPIRAL.

PLACE THE STANDARD TRUSS OVER THE PREVIOUS TRUSS AND SPIRAL INTO PLACE AS SHOWN.

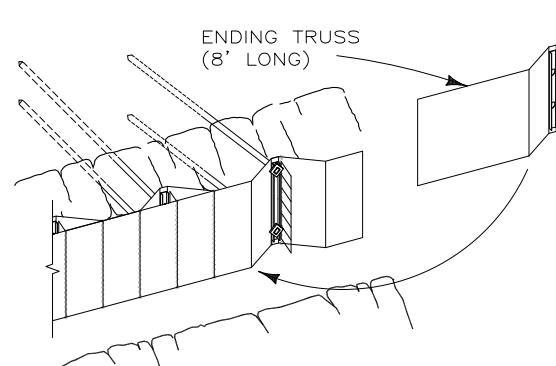


STEP 3

SPIRALS JOIN LEADING EDGE OF STANDARD TRUSS TO PREVIOUS TRUSS, TO FRONT EDGE OF STIFFENER AND TO THE EDGE OF THE BEND IN THE PREVIOUS TRUSS. EACH SPIRAL WILL BE 2' APART.

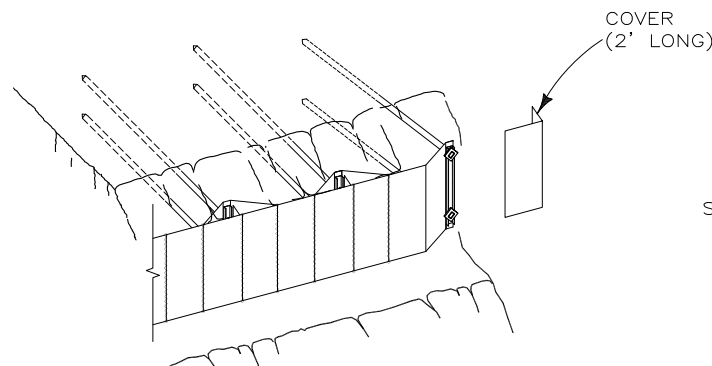
SEE DETAIL FOR JOINING STIFFENER TO THE TRUSS.

REPEAT STEPS 2 & 3 UNTIL ENDING TRUSS. SEE STEP 4 FOR ENDING TRUSS PLACEMENT.



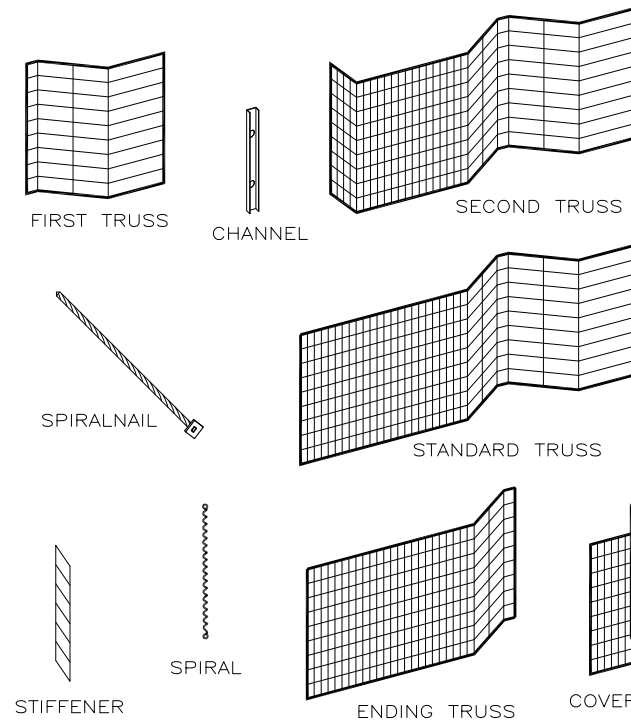
STEP 4

PLACE ENDING TRUSS OVER FINAL STANDARD TRUSS. SPIRAL TO PREVIOUS MAT AND TO STIFFENER. DRIVE SPIRALNAIL INTO PLACE.

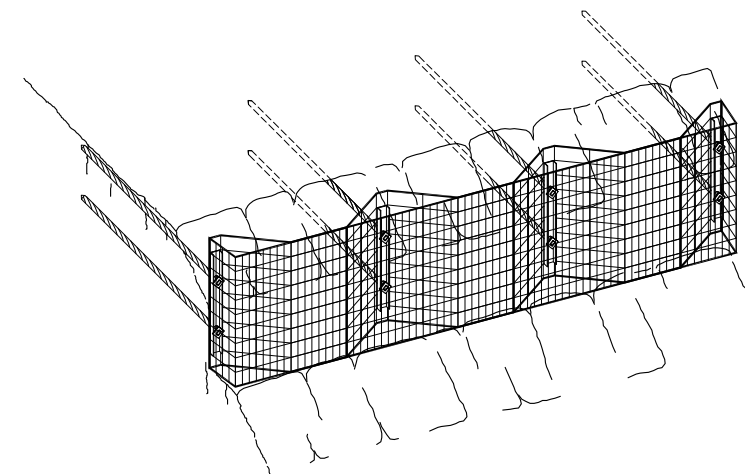
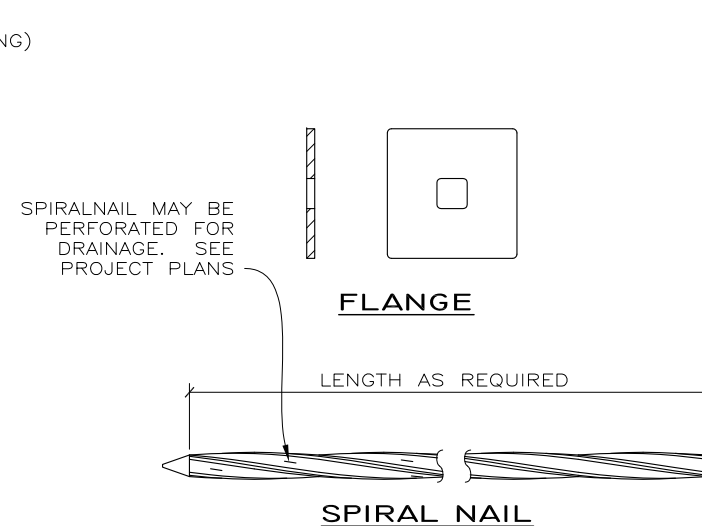


STEP 5

PLACE COVER OVER ENDING TRUSS AND SPIRAL INTO PLACE.



WALL COMPONENTS
NOT TO SCALE

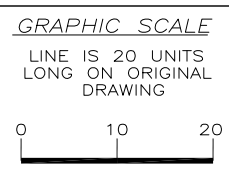


ISOMETRIC VIEW
NOT TO SCALE

C O N S T R U C T I O N S E Q U E N C E

THIS DRAWING IS FURNISHED SOLELY FOR THE USE OF OR IN CONNECTION WITH THIS PROJECT, AND THE PROPRIETARY INFORMATION SHOWN HEREON IS NOT TO BE TRANSMITTED TO ANY OTHER ORGANIZATION WITHOUT SPECIFIC AUTHORIZATION BY THE HILFIKER COMPANY. HILFIKER RETAINING WALLS ARE PROTECTED BY ONE OR MORE OF THE FOLLOWING PATENTS: 243,613, 243,697, 288,616, 4,117,686, 4,329,089, 4,324,508, 4,391,557, 4,505,621, 4,643,618, 4,661,023, 4,856,939, 5,076,755, 5,647,695, 5,722,799, 6,357,970 AND OTHERS. OTHER PATENTS PENDING (2004)

REV.NO.	DATE	BY	DESCRIPTION



PROJ.MGR.
BH
ENGINEER
CADD BY
AMJ

HILFIKER RETAINING WALLS

1902 Hilfiker Lane
Eureka, CA 95503-5711
TOLL-FREE 800.762.8962
PH 707.443.5093 FAX 707.443.2891
WEBSITE www.hilfiker.com E-MAIL info@hilfiker.com

DWG DATE
9 JAN 08
REVISION DATE
SCALE
NOTED

STANDARD DETAIL	PROJECT NO. --
SPIRALNAIL RETAINING WALL SPIRALNAIL TRUSS SYSTEM	SHEET 1
DETAILS AND NOTES	OF 1