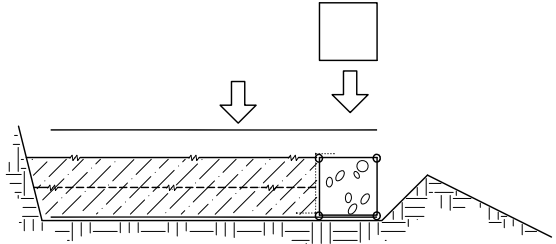


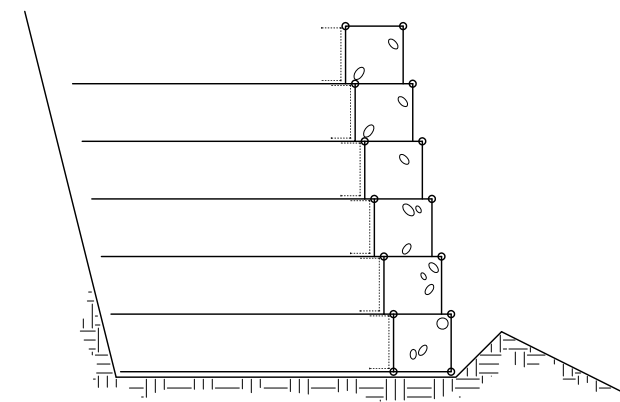
STEP 1

1. PLACE SOIL REINFORCEMENT MATS ON PREPARED FOUNDATION.
2. PLACE THE FIRST LIFT OF GABIONS AND PERMANENTLY CONNECT THE FRONT EDGES TO THE SOIL REINFORCEMENT MATS WITH SPIRAL BINDERS.
3. INSTALL FILTER FABRIC, IF REQUIRED.
4. PLACE AND COMPACT THE FIRST COURSE OF BACKFILL ON THE SOIL REINFORCEMENT MATS. BACKFILL TO BE OF SUFFICIENT DEPTH TO PROTECT SOIL REINFORCEMENT MATS FROM DAMAGE OR MOVEMENT BY EQUIPMENT DURING DELIVERY OF ROCK TO THE GABIONS.
5. FILL THE GABIONS WITH SUITABLE ROCK.
6. CLOSE LID AND SECURE WITH SPIRAL BINDERS.



STEP 2

1. PLACE AND COMPACT THE REMAINING BACKFILL IN UNIFORM LIFTS OVER THE SOIL REINFORCING MAT.
2. PLACE SOIL REINFORCEMENT MATS ON THE BACKFILL AND THE TOP OF THE GABION.
3. PLACE THE SECOND LIFT OF GABIONS OVER THE FIRST LIFT AND CONNECT THE GABIONS AND THE SOIL REINFORCEMENT MATS TOGETHER PERMANENTLY WITH SPIRAL BINDERS.
4. PLACE AND COMPACT BACKFILL AT THE TOE OF THE WALL PER YOUR PROJECT PLANS.

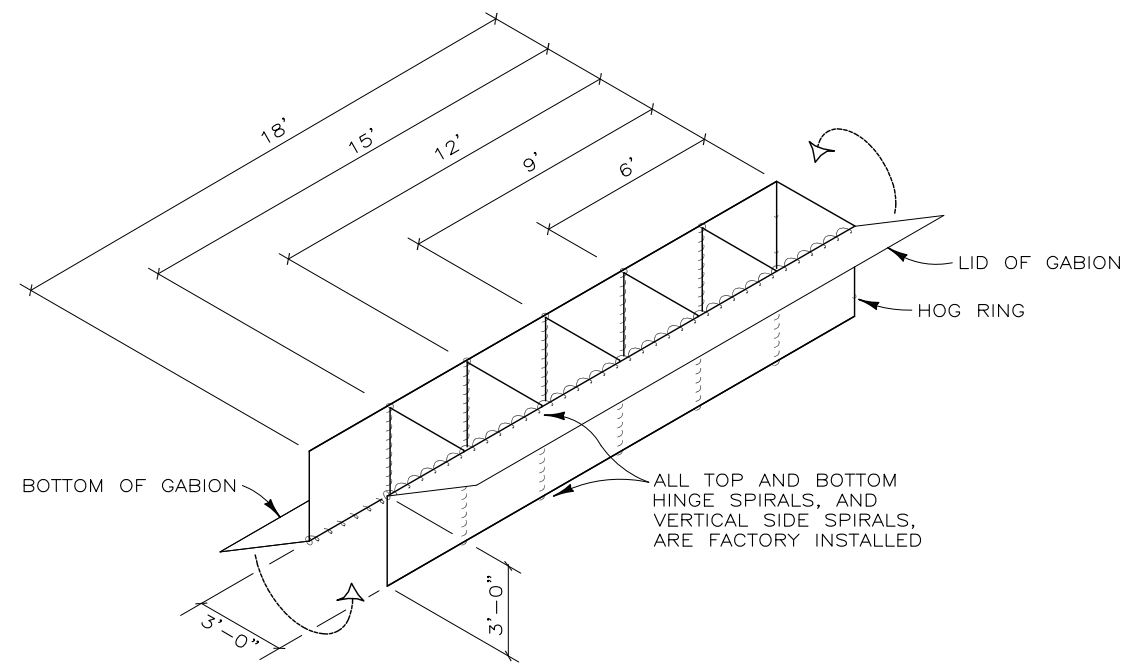


STEP 3

1. REPEAT STEP 2 TO THE TOP LIFT OF GABIONS.
2. PLACE THE FINAL LIFT OF BACKFILL PER PROJECT PLANS.

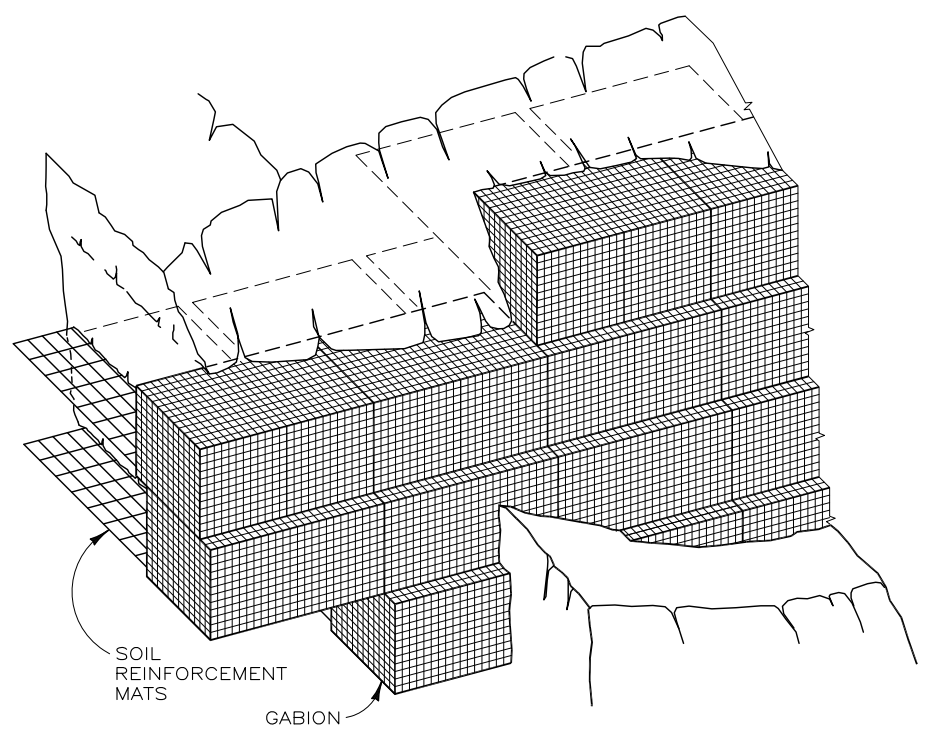
CONSTRUCTION SEQUENCE

NOT TO SCALE



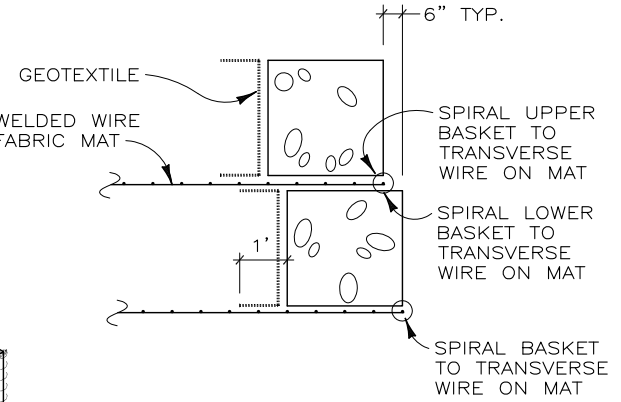
TYPICAL GABION

NOT TO SCALE



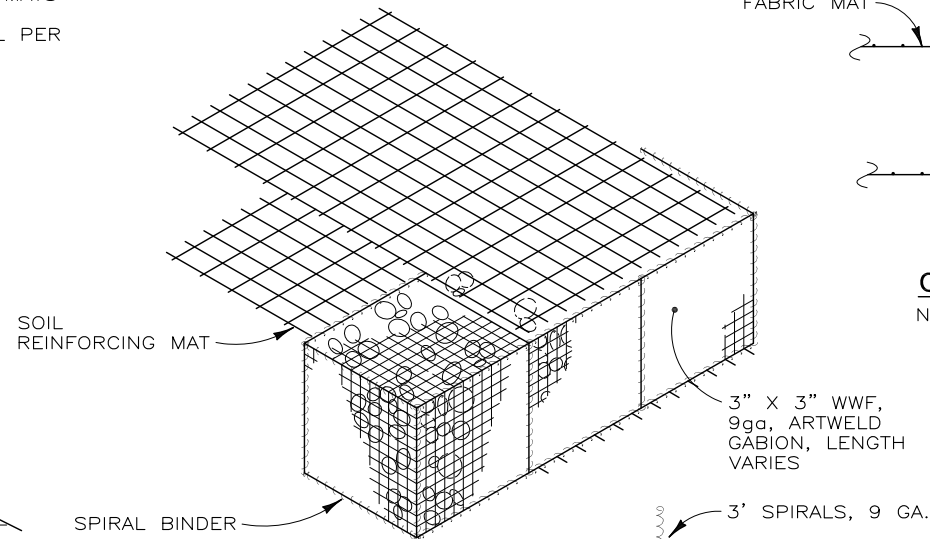
PICTORIAL ELEVATION

NOT TO SCALE



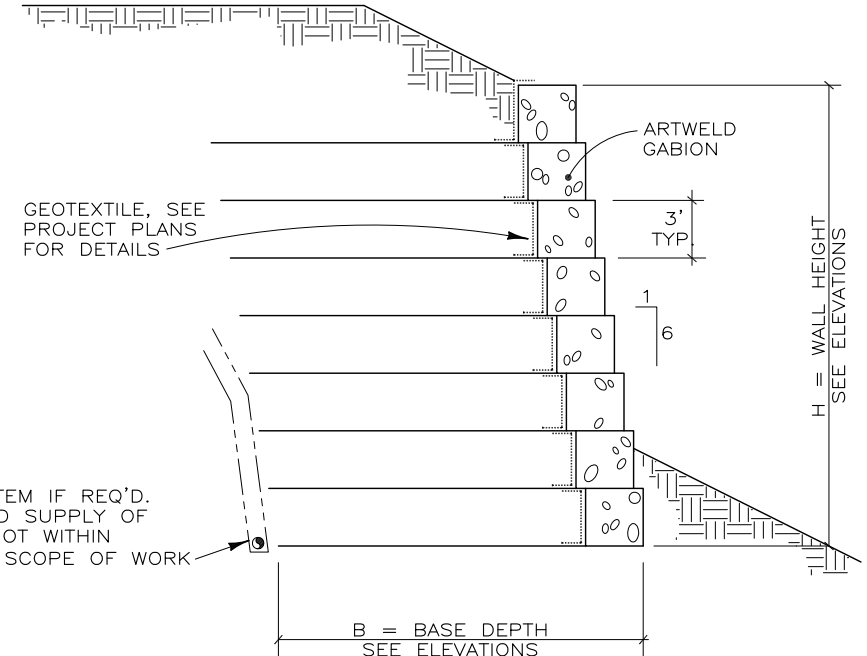
CONNECTION DETAIL

NOT TO SCALE



ISOMETRIC OF WALL COMPONENTS

NOT TO SCALE



TYPICAL SECTION

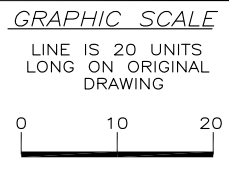
NOT TO SCALE

DRAIN SYSTEM IF REQ'D. DESIGN AND SUPPLY OF DRAIN IS NOT WITHIN HILFIKER'S SCOPE OF WORK

GABION FACED MSE WALL

THIS DRAWING IS FURNISHED SOLELY FOR THE USE OF OR IN CONNECTION WITH THIS PROJECT, AND THE PROPRIETARY INFORMATION SHOWN HEREON IS NOT TO BE TRANSMITTED TO ANY OTHER ORGANIZATION WITHOUT SPECIFIC AUTHORIZATION BY THE HILFIKER COMPANY. HILFIKER RETAINING WALLS ARE PROTECTED BY ONE OR MORE OF THE FOLLOWING PATENTS: 243,613, 243,697, 288,616, 4,117,686, 4,329,089, 4,324,508, 4,391,557, 4,505,621, 4,643,618, 4,661,023, 4,856,939, 5,076,735, 5,647,695, 5,722,799, 6,357,970 AND OTHERS. OTHER PATENTS PENDING (2004)

REV.NO.	DATE	BY	DESCRIPTION
1	9/24/98	DR	MINOR REVISIONS
2	4/12/02	DR	UPDATE BORDER
3	12 SEP 07	AMJ	UPDATED BORDER, MINOR REVISIONS



PROJ.MGR.
ENGINEER
CADD BY
HRW

HILFIKER RETAINING WALLS

1902 Hilfiker Lane
Eureka, CA 95503-5711
TOLL-FREE 800.762.8962
PH 707.443.5093 FAX 707.443.2891
WEBSITE www.hilfiker.com E-MAIL info@hilfiker.com

DWG DATE
8 APR 93
REVISION DATE
12 SEP 07
SCALE
NOTED

STANDARD DRAWING
ARTWELD GABION-FACED MSE WALL
SECTION AND DETAILS

PROJECT NO.
SHEET
1
OF 1