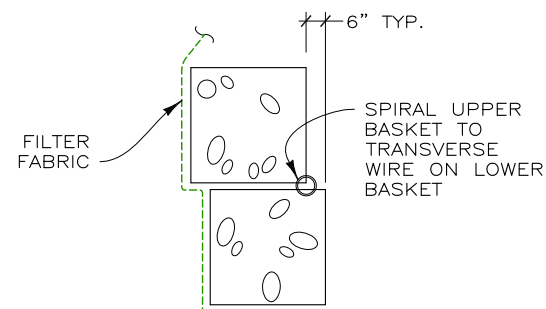
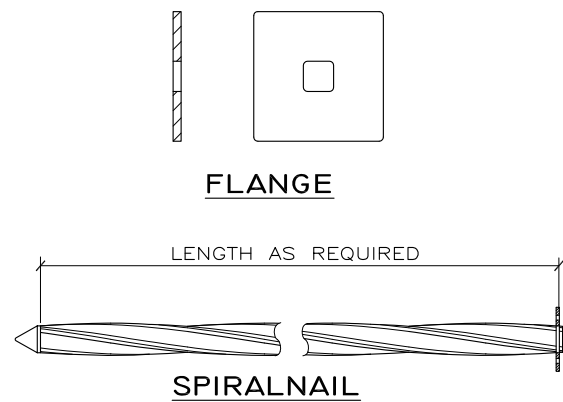
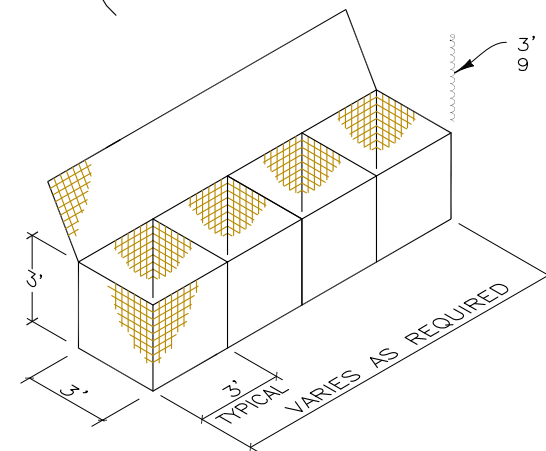


PICTORIAL ELEVATION - SPIRALNAIL THROUGH GABION
NOT TO SCALE

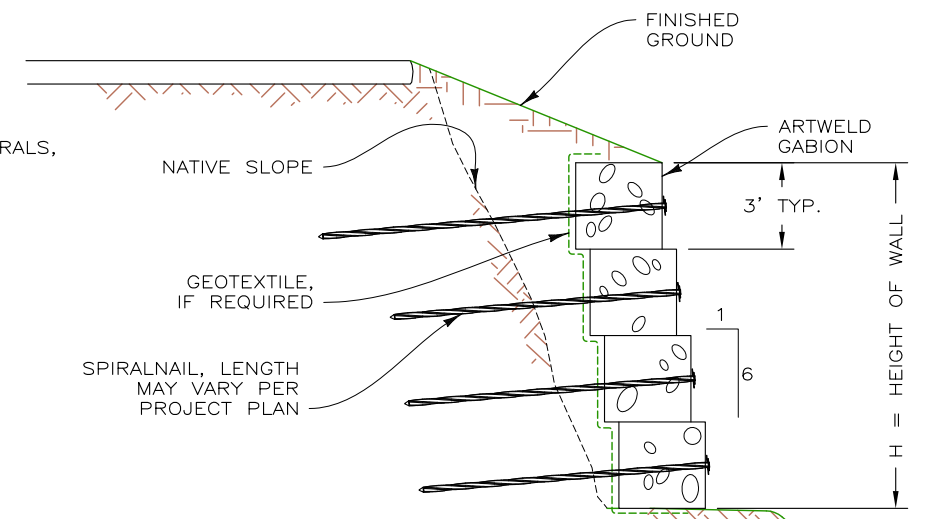
CONSTRUCTION SEQUENCE
NOT TO SCALE



CONNECTION DETAIL



TYPICAL GABION

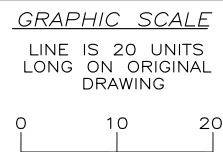


TYPICAL SECTION
SCALE: 3"=20'

STANDARD DETAILS/SPIRALNAIL/SPIRALNAIL THROUGH GABION

THIS DRAWING IS FURNISHED SOLELY FOR THE USE OF OR IN CONNECTION WITH THIS PROJECT AND THE PROPRIETARY INFORMATION SHOWN HEREON IS NOT TO BE TRANSMITTED TO ANY OTHER ORGANIZATION WITHOUT SPECIFIC AUTHORIZATION BY THE HILFIKER COMPANY. HILFIKER RETAINING WALLS ARE PROTECTED BY ONE OR MORE OF THE FOLLOWING PATENTS: 243,613; 243,697; 288,616; 4,117,686; 4,329,089; 4,324,508; 4,391,557; 4,505,621; 4,343,318; 4,661,023; 4,856,939; 4,929,125; 5,076,735; 5,647,695; 5,722,799; 5,733,072; 6,357,970B1; 6,874,975B2; 7,033,118B2; AND OTHERS. OTHER PATENTS PENDING (2008)

REV. NO.	DATE	BY	DESCRIPTION
1	31 JAN 07	AMJ	UPDATED BORDER
2	23 JAN 15	AMJ	REVISED SPIRALNAIL TIP, MINOR CHANGES



PROJ. MGR.
ENGINEER
CADD BY
HRW

HILFIKER RETAINING WALLS

1902 Hilfiker Lane
Eureka, CA 95503-5711
TOLL-FREE 800.762.8962
PH 707.443.5093 FAX 707.443.2891
WEBSITE www.hilfiker.com E-MAIL info@hilfiker.com

SINCE 1902
QUALITY PRODUCT

DWG DATE
8 APR 93

REVISION DATE
23 JAN 15

SCALE
NOTED

STANDARD DRAWING

ARTWELD GABION M.S.E. WALL WITH HILFIKER SPIRALNAILS

DETAILS

PROJECT NO.

SHEET
1
OF 1