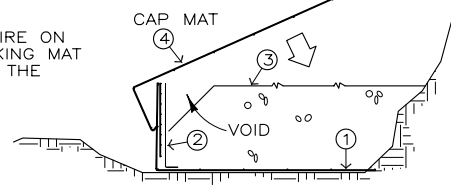
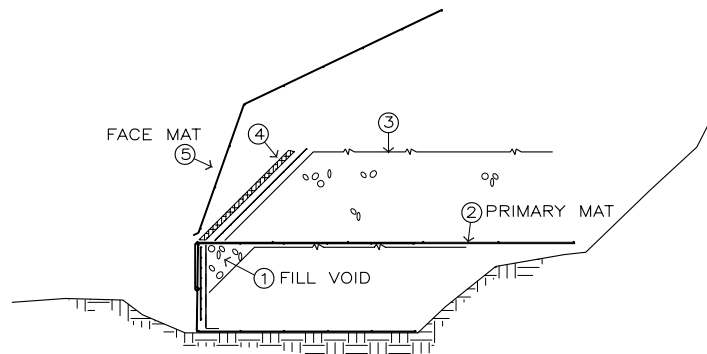


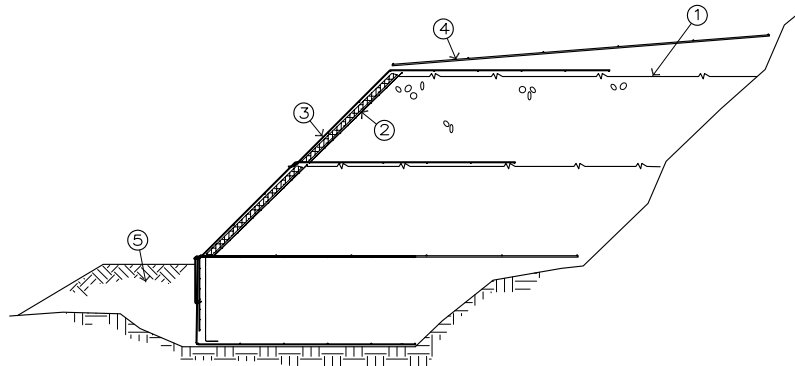
HOG RING THE TOP WIRE ON THE FOUNDATION BACKING MAT TO THE TOP WIRE ON THE FOUNDATION MAT.



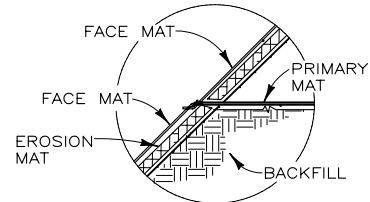
- A1. PREPARE THE FOUNDATION AND PLACE THE FOUNDATION MAT.
2. INSTALL THE FOUNDATION BACKING MAT AND FILTER FABRIC.
3. PLACE AND COMPACT BACKFILL TO 24" DEPTH AS SHOWN.
4. HOOK CAP MAT ON TRANSVERSE WIRE OF FOUNDATION MAT AND LAY IT DOWN ONTO THE BACKFILL.



- B1. FILL THE VOID BELOW THE FRONT OF THE CAP AND ROD TO FULLY COMPACT.
2. PLACE FIRST PRIMARY MAT ON FOUNDATION CAP MAT.
3. PLACE BACKFILL AND COMPACT TO 25.75" DEPTH.
4. PLACE BACKING MAT AND EROSION MAT OR SOD.
5. HOOK FACE MAT ON TRANSVERSE WIRES OF PRIMARY MAT AND THE FOUNDATION MAT AND LAY IT DOWN ONTO THE BACKFILL.

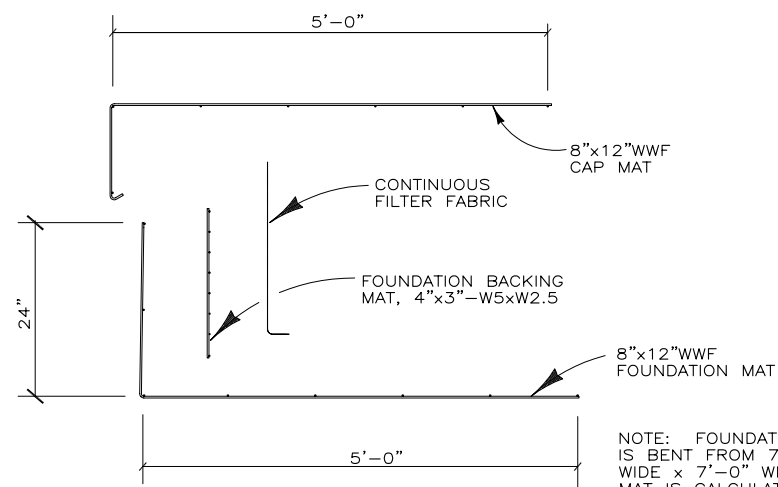


- C1. PLACE AND COMPACT SECOND 25.75" LIFT OF BACKFILL.
2. PLACE BACKING MAT AND EROSION MAT OR SOD.
3. ROTATE AND INSTALL FACE MAT AS IN STEP 4 ABOVE.
4. PLACE PRIMARY MAT WITH TRANSVERSE WIRE ALIGNED WITH THE TRANSVERSE WIRE OF THE LOWER FACE MAT THAT WILL BE HOOKED WITH THE NEXT FACE MAT.
5. BACKFILL AND COMPACT SOIL AT TOE OF WALL.

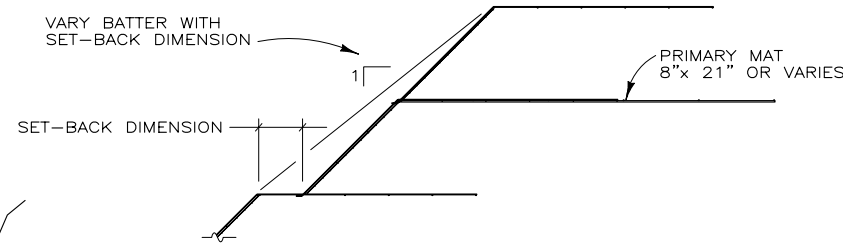


- D1. PLACE THE NEXT LIFT OF BACKFILL, BACKING MAT AND EROSION MAT OR SOD.
2. INSTALL THE FACE MAT SO IT ENGAGES BOTH THE PRIMARY MAT AND THE LOWER FACE MAT.
3. CONTINUE LIFTS TO THE TOP OF THE WALL.
4. AFTER PLACING THE TOP LIFT OF BACKFILL AND FACE MAT, BACKING MAT AND EROSION MAT, PLACE THE PRIMARY MAT AND HOOK IT TO THE FACE MAT WITH HOG RINGS. BACKFILL AND COMPACT THE REQUIRED COVER OVER THE PRIMARY MAT.

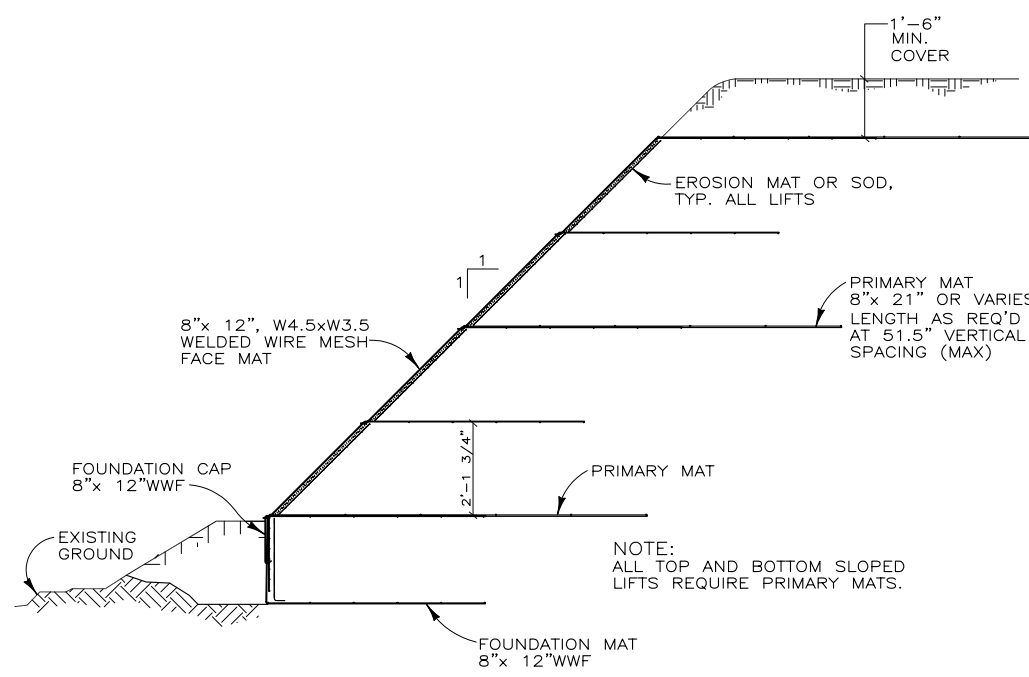
CONSTRUCTION SEQUENCE
NOT TO SCALE



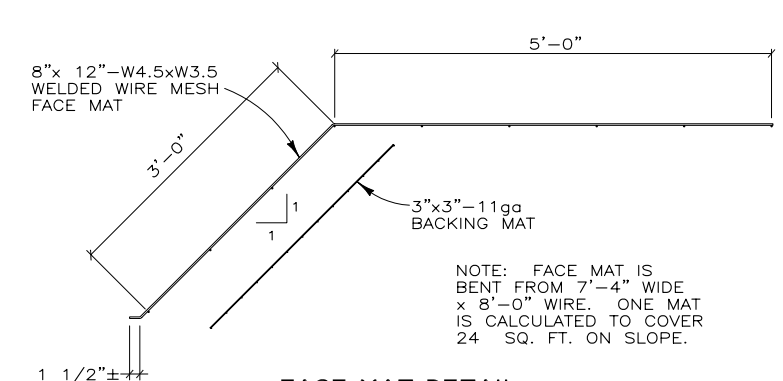
FOUNDATION MAT AND CAP
SCALE: 10 X GRAPHIC SCALE



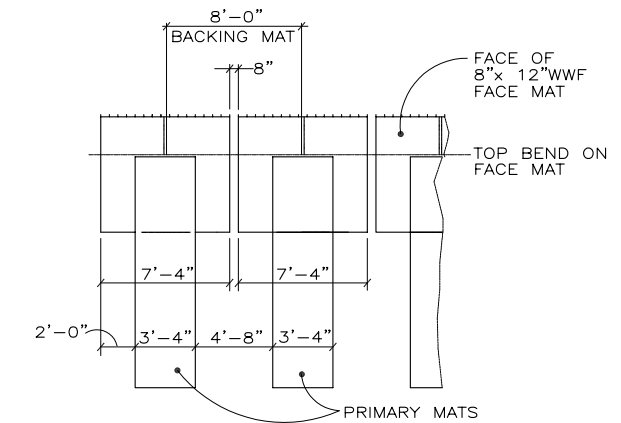
VARIABLE FACE BATTER
SCALE: 5 X GRAPHIC SCALE



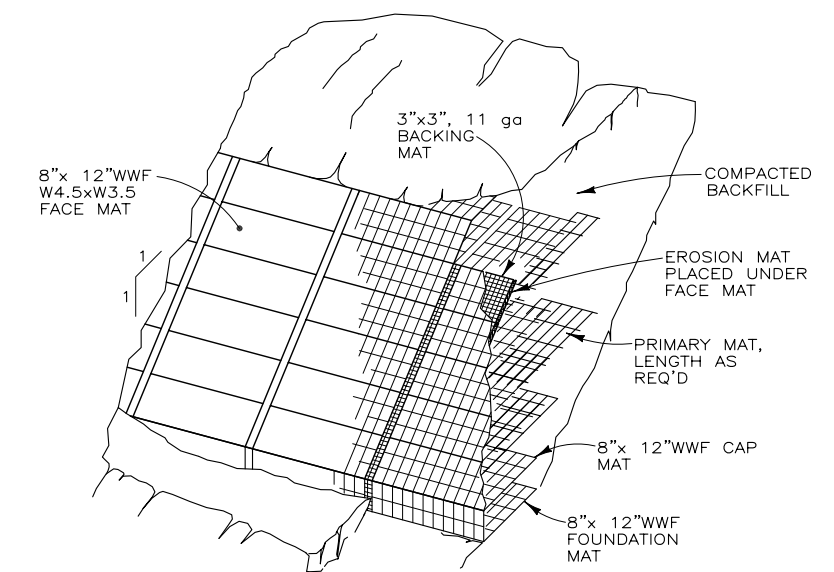
SECTION
SCALE: 5 X GRAPHIC SCALE



FACE MAT DETAIL
SCALE: 10 X GRAPHIC SCALE



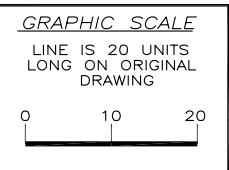
ASSEMBLED MATS
NOT TO SCALE



PICTORIAL ELEVATION
NOT TO SCALE

STEEP SLOPE

REV. NO.	DATE	BY	DESCRIPTION
1	8/02/95	DR	MINOR REVISIONS
2	10/24/95	DR	REVISED PRIMARY MAT SPACING
3	4/19/96	DR	MINOR REVISIONS
4	8/06/99	DR	UPDATED BORDER
5	4/10/02	DR	CHANGED WIRE SPACING, SIZES



PROJ. MGR.
ENGINEER
CADD BY DR

HILFIKER RETAINING WALLS
3900 Broadway Eureka, CA 95503
P.O. Box 2012 Eureka, CA 95501
707-443-5093 Fax 707-443-2891
Toll-Free 800-762-8962
Web: <http://hilfiker.com> email: info@hilfiker.com



DWG DATE
24 JULY 95
REVISION DATE
10 APR 02
SCALE
NOTED

STANDARD DRAWING
WELDED WIRE STEEPENED SLOPE
DETAILS

PROJECT NO.
SHEET
1
OF 1