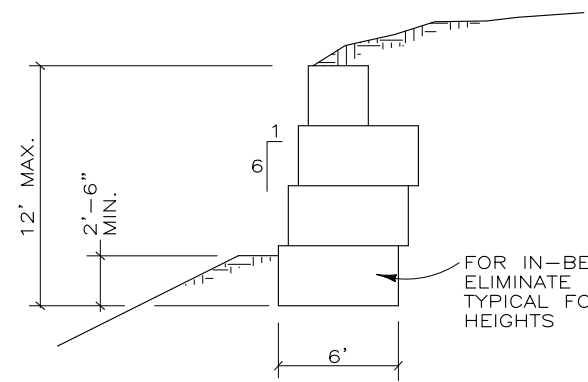
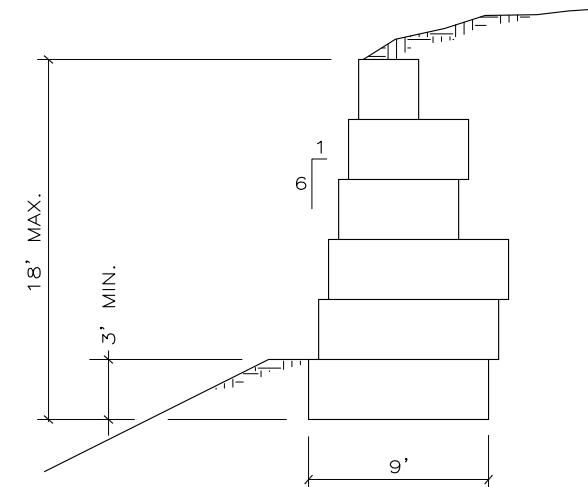


TYPE 1

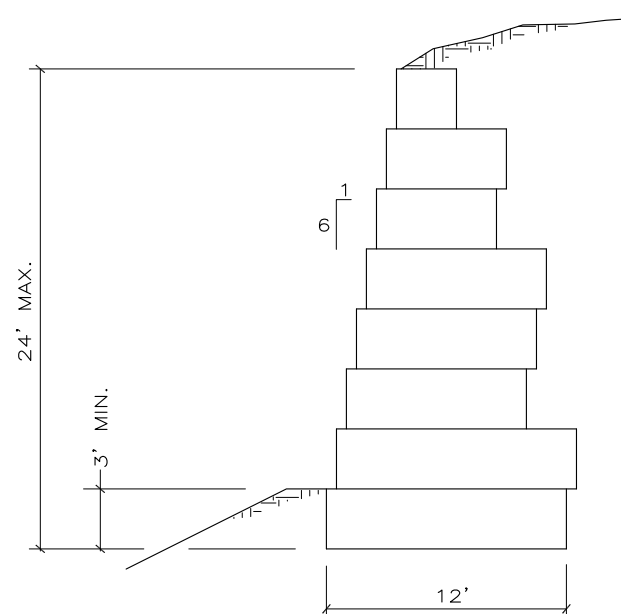


TYPE 2

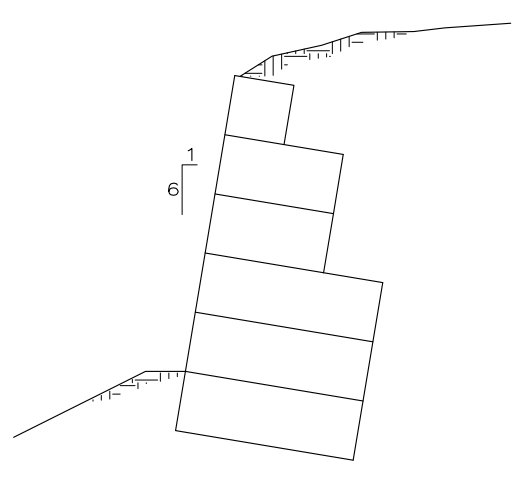
FOR IN-BETWEEN HEIGHTS ELIMINATE LOWEST LIFT, TYPICAL FOR ALL HEIGHTS



TYPE 3



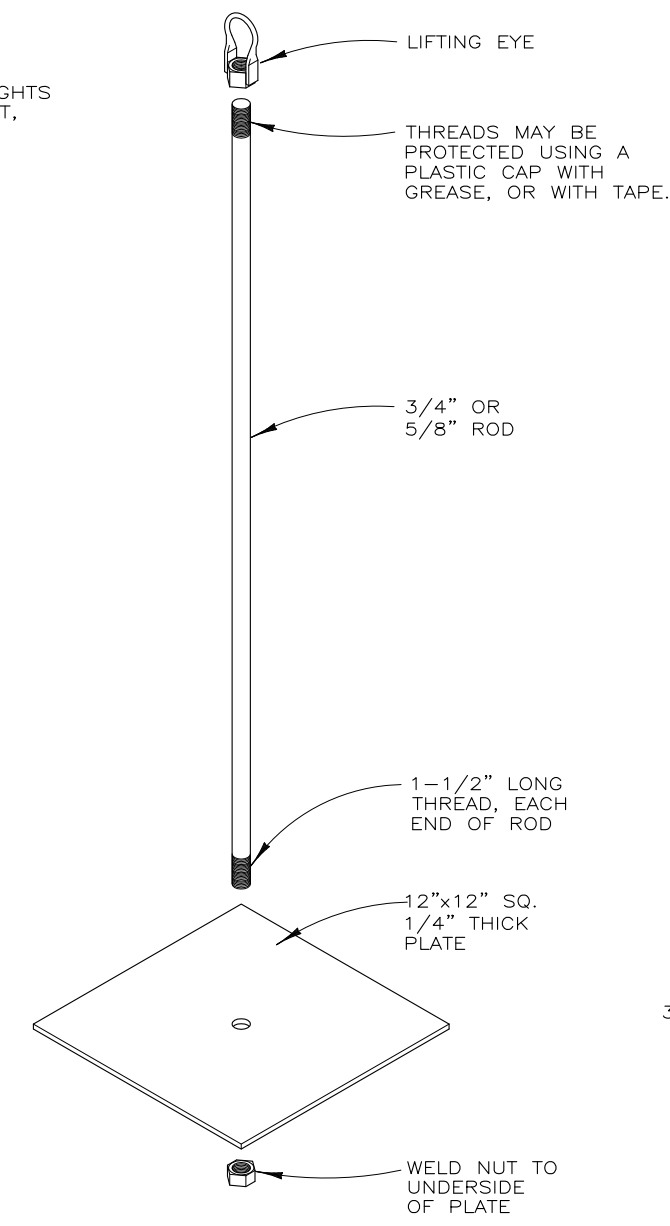
TYPE 4



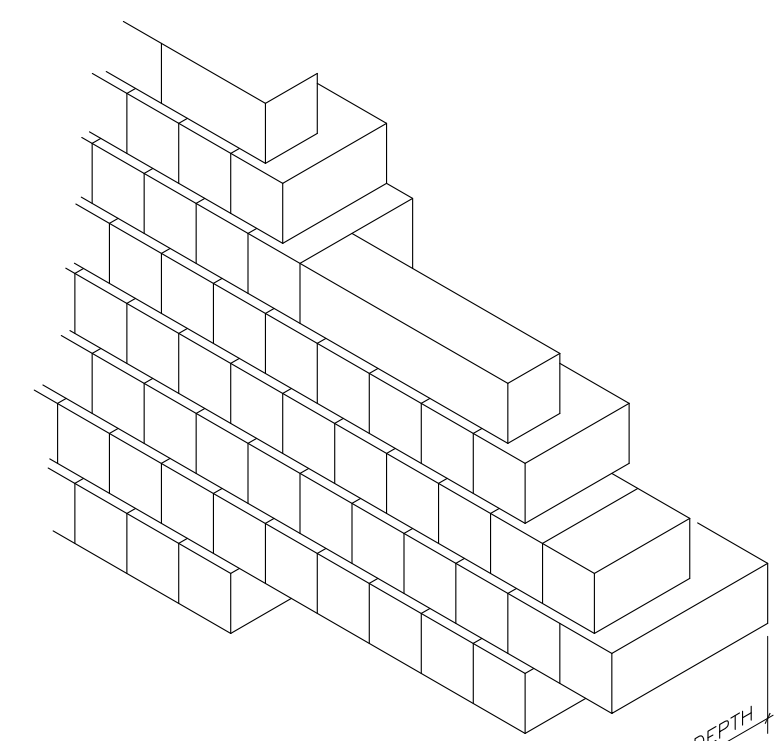
ALTERNATE BATTER

MATERIALS:

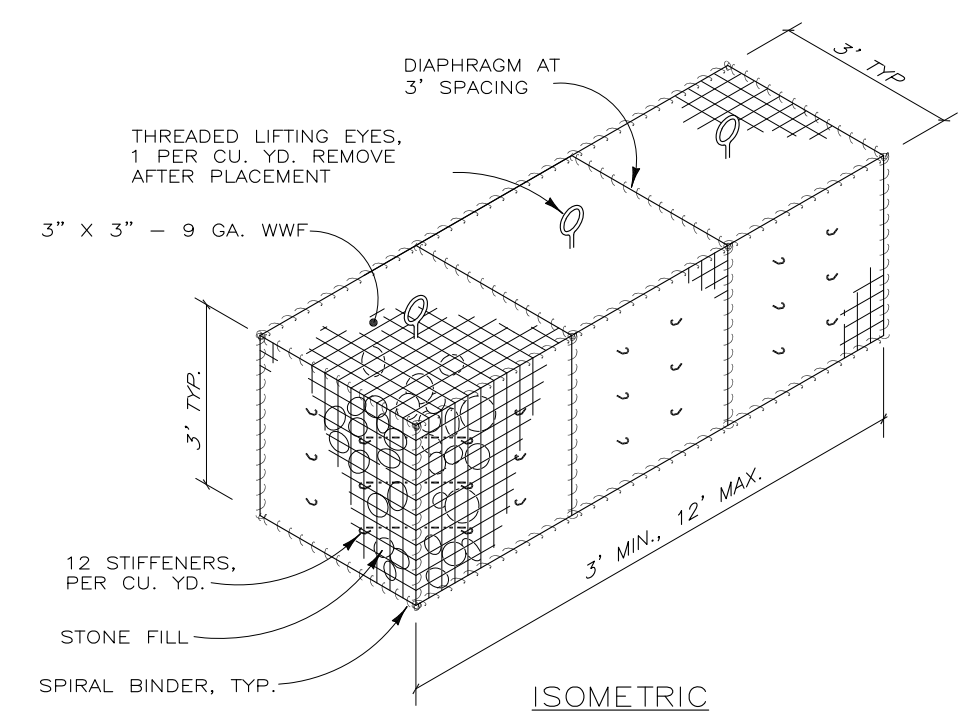
- SIDES AND DIAPHRAGMS:
3" X 3" - 9GA. WELDED WIRE FABRIC
- SPIRAL BINDERS AND STIFFENERS: 9 GA. WIRE
- ALL WWF AND WIRE GALVANIZED 0.8 OZ./SQ. FT.
- WIRE AND GALVANIZING PER ASTM A-185 AND ASTM A-123
- STONE FILLING SHALL VARY IN SIZE IN GREATEST DIMENSION FROM 3 1/2" MINIMUM TO 12" MAXIMUM.



STONECRIB LIFTING DEVICE



TYPICAL END SECTION

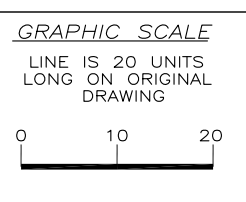


ISOMETRIC

STANDARD DRAWINGS\CABIONS\STONECRIB

THIS DRAWING IS FURNISHED SOLELY FOR THE USE OF OR IN CONNECTION WITH THIS PROJECT AND THE PROPRIETARY INFORMATION SHOWN HEREON IS NOT TO BE TRANSMITTED TO ANY OTHER ORGANIZATION WITHOUT SPECIFIC AUTHORIZATION BY THE HILFIKER COMPANY. HILFIKER RETAINING WALLS ARE PROTECTED BY ONE OR MORE OF THE FOLLOWING PATENTS: 243,613; 243,697; 288,616; 4,117,686; 4,329,089; 4,324,506; 4,391,557; 4,505,621; 4,343,318; 4,661,023; 4,856,939; 4,929,125; 5,076,735; 5,647,695; 5,722,799; 5,733,072; 6,357,970B1; 6,874,975B2; 7,033,118B2; AND OTHERS. OTHER PATENTS PENDING (2008)

REV. NO.	DATE	BY	DESCRIPTION
1	20 AUG 98	DR	UPDATE, MINOR REVISIONS
2	6 AUG 99	DR	UPDATED BORDER
3	18 JAN 06	KJ	ADDED LIFTING DEVICE DETAIL
4	6 OCT 11	AMJ	UPDATED BORDER



PROJ. MGR.
ENGINEER
CADD BY
HRW

HILFIKER RETAINING WALLS

1902 Hilfiker Lane
Eureka, CA 95503-5711
TOLL-FREE 800.762.8962
PH 707.443.5093 FAX 707.443.2891
WEBSITE www.hilfiker.com E-MAIL info@hilfiker.com

DWG DATE
7 OCT 92
REVISION DATE
6 OCT 11
SCALE
NOTED

STANDARD DRAWING	PROJECT NO. ---
STONECRIB RETAINING WALL	SHEET 1
DETAILS AND NOTES	OF 1