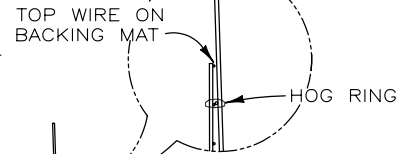


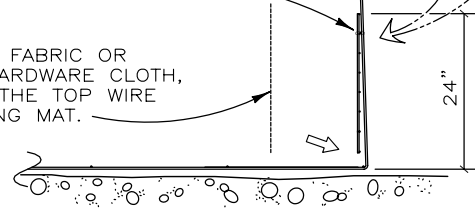
STEP 1
PLACE THE FIRST COURSE OF SOIL REINFORCEMENT MATS ON PREPARED FOUNDATION



STEP 2
PLACE THE BACKING MAT AGAINST THE INSIDE FACE OF THE SOIL REINFORCEMENT MAT. CLIP THE SECOND-TO-TOP TRANSVERSE WIRE ON THE BACKING MAT TO THE TOP TRANSVERSE WIRE ON THE SOIL REINFORCEMENT MAT.

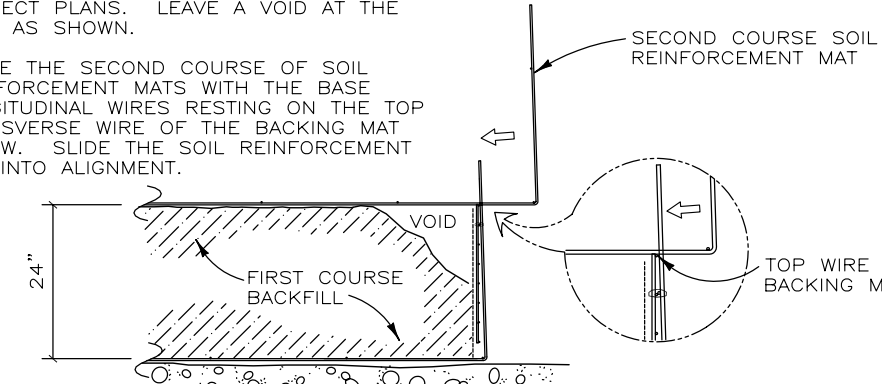


INSTALL FILTER FABRIC OR CONTINUOUS HARDWARE CLOTH, HOG-RING TO THE TOP WIRE ON THE BACKING MAT.

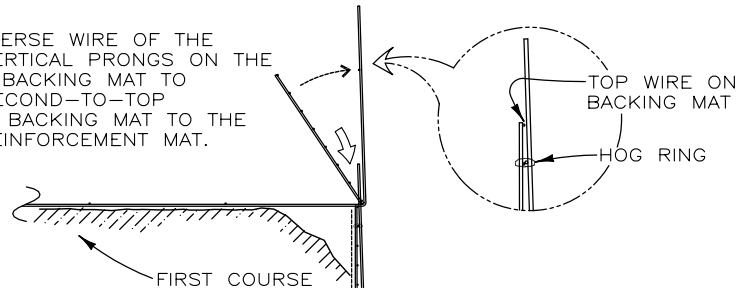


STEP 3
PLACE AND COMPACT THE BACKFILL IN LAYERS AND DENSITIES AS SPECIFIED IN THE PROJECT PLANS. LEAVE A VOID AT THE FACE AS SHOWN.

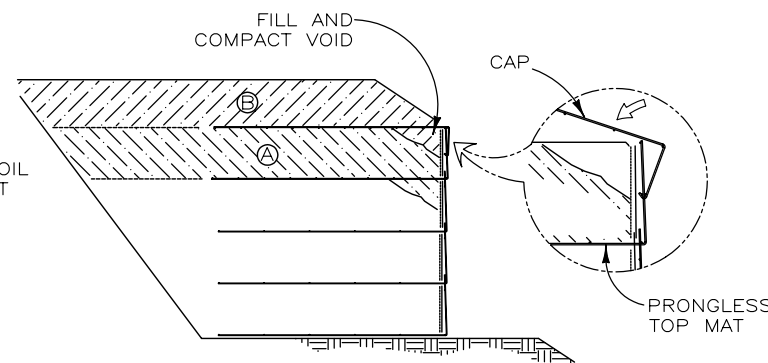
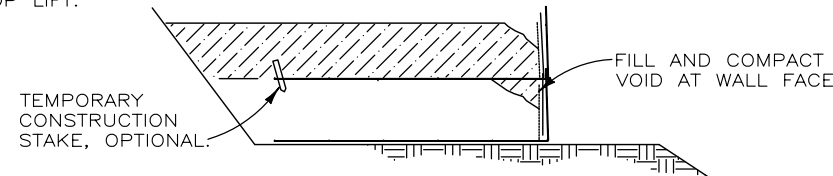
PLACE THE SECOND COURSE OF SOIL REINFORCEMENT MATS WITH THE BASE LONGITUDINAL WIRES RESTING ON THE TOP TRANSVERSE WIRE OF THE BACKING MAT BELOW. SLIDE THE SOIL REINFORCEMENT MAT INTO ALIGNMENT.



STEP 4
HOOK THE BOTTOM TRANSVERSE WIRE OF THE BACKING MAT OVER THE VERTICAL PRONGS ON THE LOWER MAT. ROTATE THE BACKING MAT TO VERTICAL AND CLIP THE SECOND-TO-TOP TRANSVERSE WIRE ON THE BACKING MAT TO THE TOP WIRE ON THE SOIL REINFORCEMENT MAT.

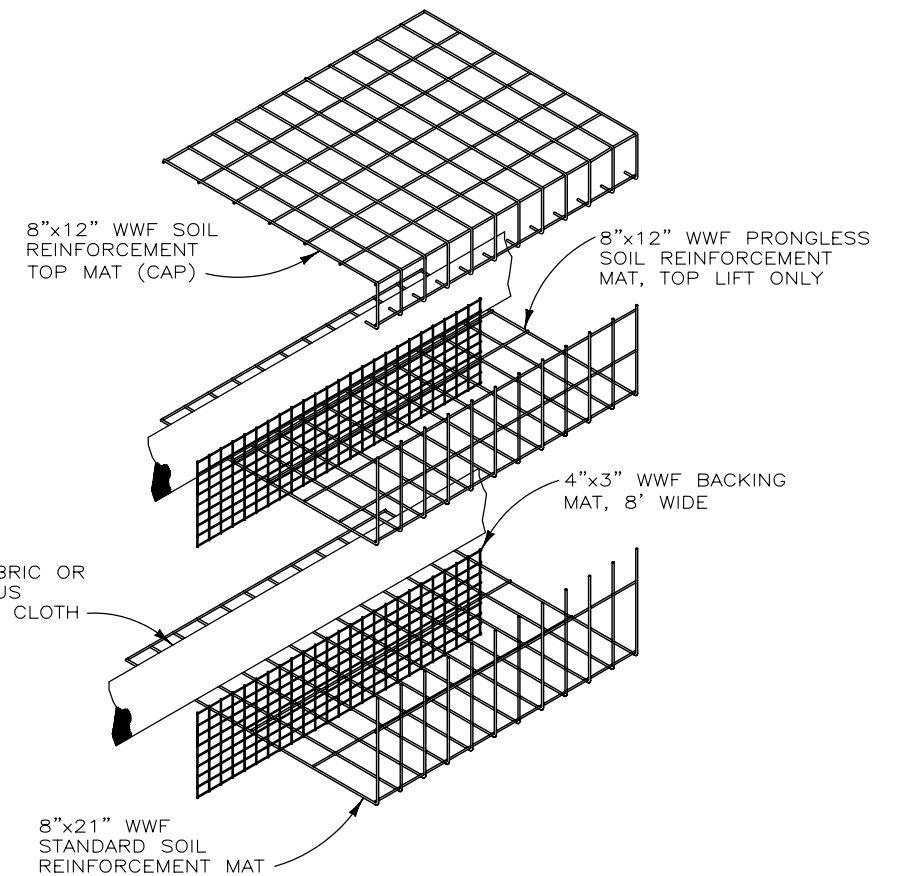


STEP 5
INSTALL THE FILTER FABRIC OR CONTINUOUS HARDWARE CLOTH. PLACE AND COMPACT THE BACKFILL TO THE BASE ELEVATION OF THE NEXT MAT. REPEAT STEPS 3 THROUGH 5 TO THE TOP LIFT.

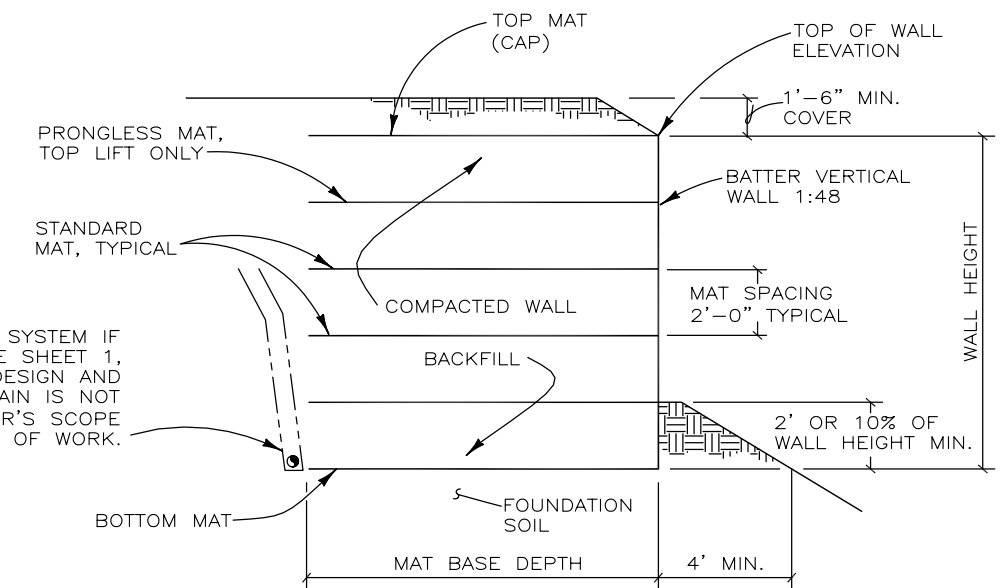


STEP 6: TOP LIFT
PLACE THE TOP LIFT PRONGLESS MAT, BACKING MAT AND FILTER FABRIC OR CONTINUOUS HARDWARE CLOTH. PLACE AND COMPACT BACKFILL IN AREA "A". HOOK THE CAP OVER THE MIDDLE TRANSVERSE WIRE ON THE PRONGLESS MAT, AND ROTATE INTO PLACE. BACKFILL "B" TO 1'-6" MIN. COVER OVER THE CAP.

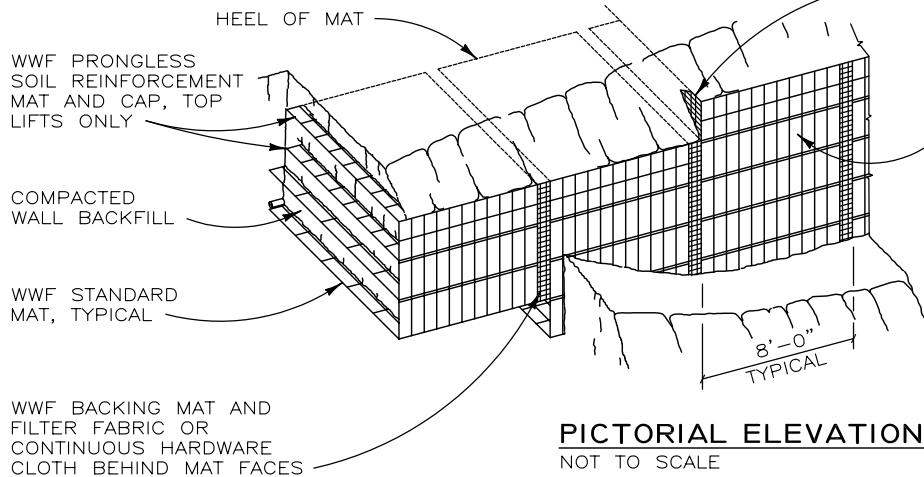
CONSTRUCTION SEQUENCE
NOT TO SCALE



WALL COMPONENTS
NOT TO SCALE



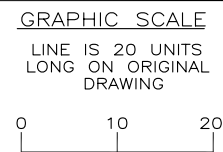
TYPICAL SECTION
NOT TO SCALE



PICTORIAL ELEVATION
NOT TO SCALE

NOTES:

1. THESE DETAILS ARE INTENDED FOR INFORMATION ONLY. THEY MAY OR MAY NOT APPLY TO SPECIFIC PROJECTS.
2. THESE DETAILS SHOW HARDWARE CLOTH USED BEHIND THE BACKING MATS. IN SOME APPLICATIONS, FILTER FABRIC WILL BE REQUIRED INSTEAD OF HARDWARE CLOTH. IN THAT CASE, THESE DETAILS SHOULD BE REVISED ACCORDINGLY.
3. WFW = WELDED WIRE FABRIC



PROJ.MGR.
ENGINEER
CADD BY
DR/AMJ

HILFIKER RETAINING WALLS

1902 Hilfiker Lane
Eureka, CA 95503-5711
TOLL-FREE 800.762.8962
PH 707.443.5093 FAX 707.443.2891
WEBSITE www.hilfiker.com E-MAIL info@hilfiker.com

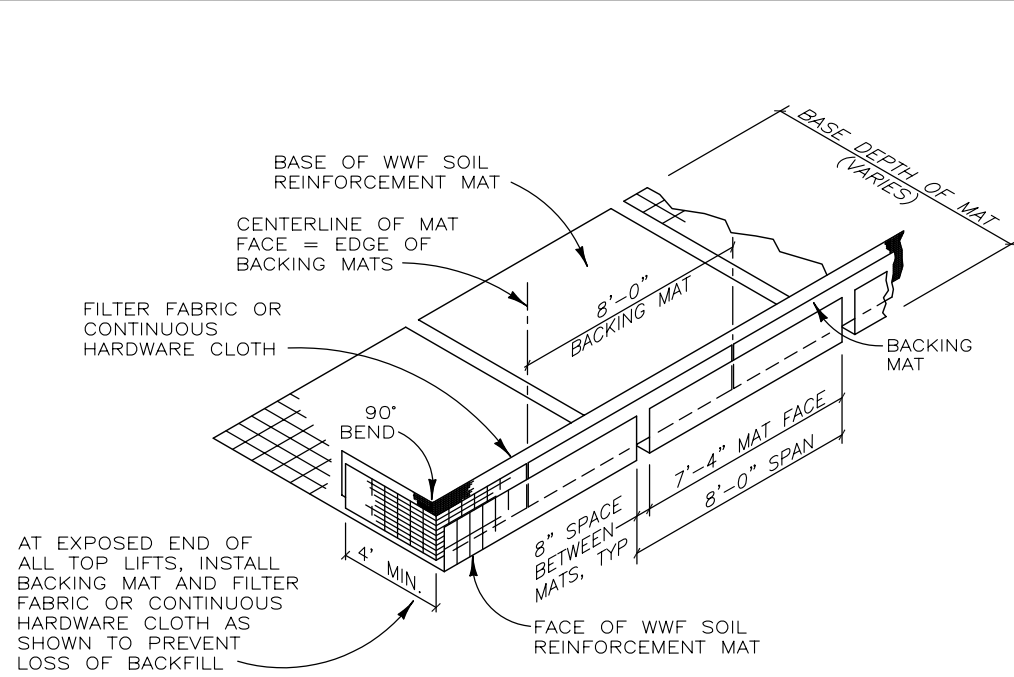
DWG DATE
NOV 98
REVISION DATE
1 NOV 07
SCALE
NOTED

STANDARD DRAWING
WELDED WIRE RETAINING WALL
24" LIFTS
STANDARD DETAILS

PROJECT NO.
SHEET
1
OF 3

WELDED WIRE WALL STANDARD DETAILS

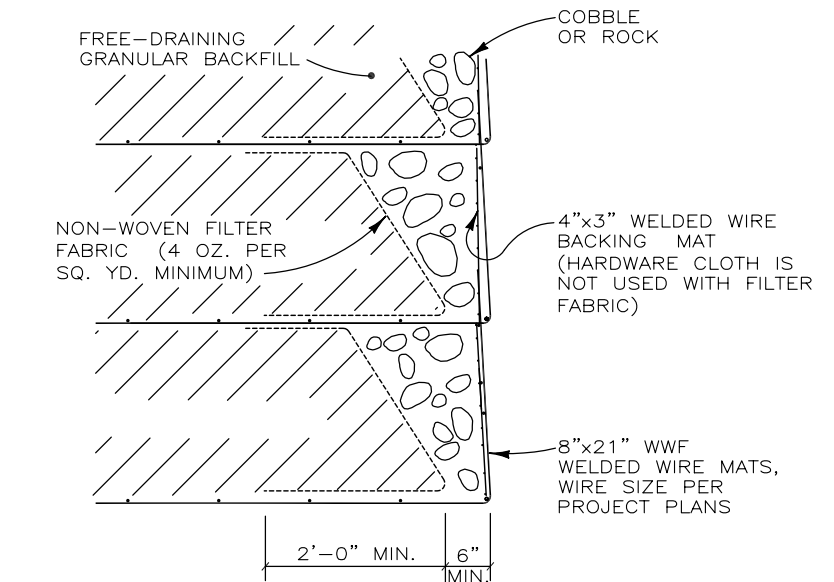
THIS DRAWING IS FURNISHED SOLELY FOR THE USE OF OR IN CONNECTION WITH THIS PROJECT, AND THE PROPRIETARY INFORMATION SHOWN HEREON IS NOT TO BE TRANSMITTED TO ANY OTHER ORGANIZATION WITHOUT SPECIFIC AUTHORIZATION BY THE HILFIKER COMPANY. HILFIKER RETAINING WALLS ARE PROTECTED BY ONE OR MORE OF THE FOLLOWING PATENTS: 243,613, 243,697, 288,616, 4,117,686, 4,329,089, 4,324,508, 4,391,557, 4,505,621, 4,643,618, 4,661,023, 4,856,939, 5,076,735, 5,647,695, 5,722,799, 6,357,970 AND OTHERS. OTHER PATENTS PENDING (2004)



ISOMETRIC VIEW

WELDED WIRE WALL COMPONENTS WITH RETURN MAT

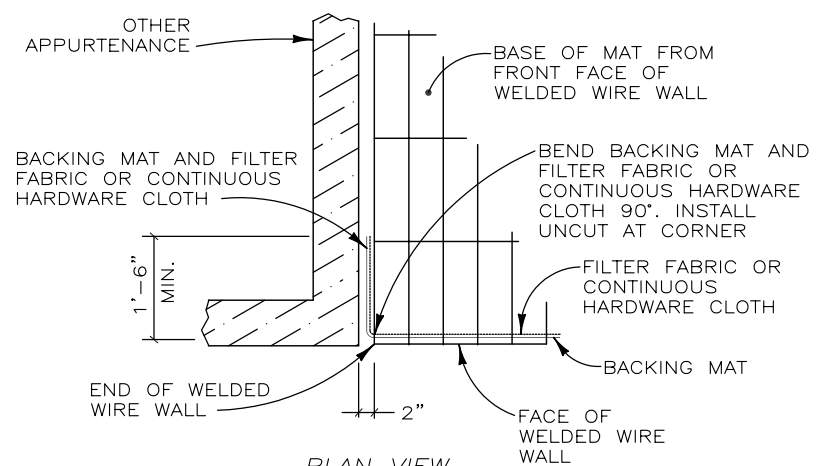
NOT TO SCALE



SECTION

ROCK FACING DETAIL

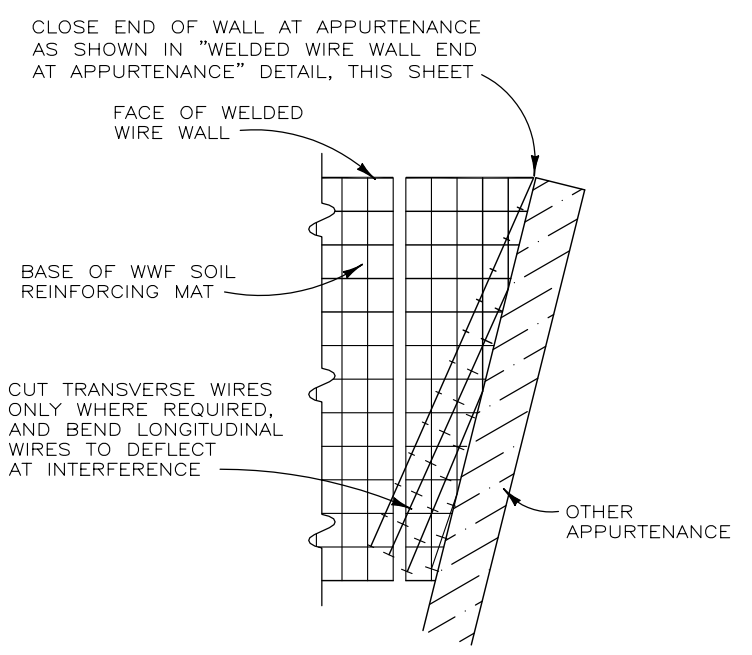
NOT TO SCALE



PLAN VIEW

WELDED WIRE WALL END AT OTHER APPURTENANCE

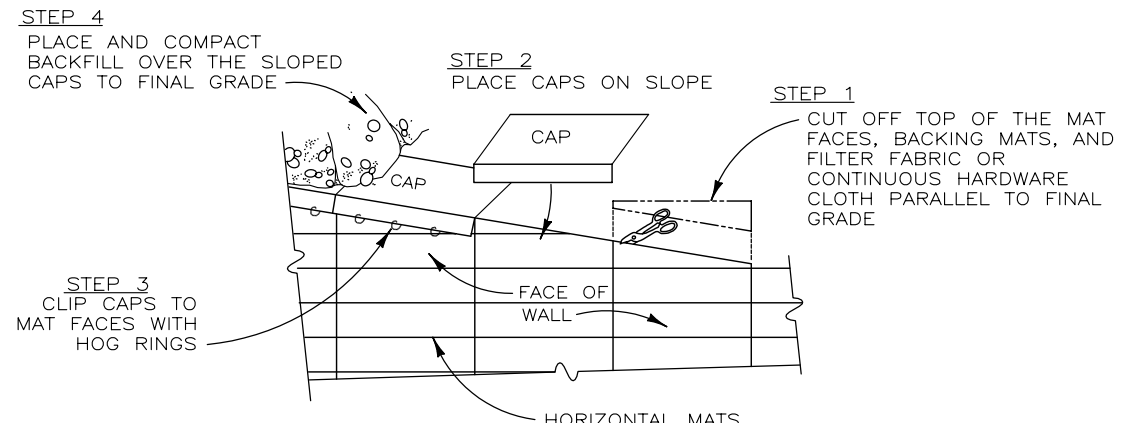
NOT TO SCALE



PLAN VIEW

DEFLECTED LONGITUDINAL WIRES

NOT TO SCALE



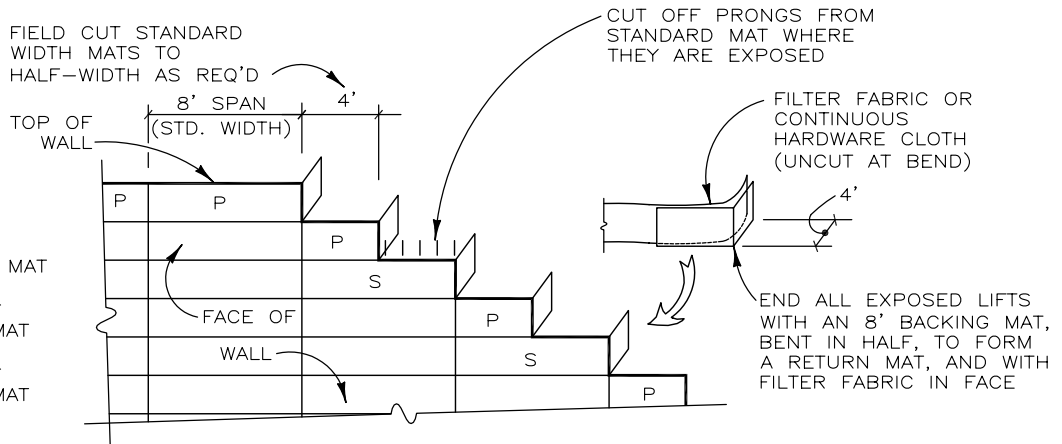
PICTORIAL ELEVATION

SLOPED CAP MAT DETAIL

NOT TO SCALE

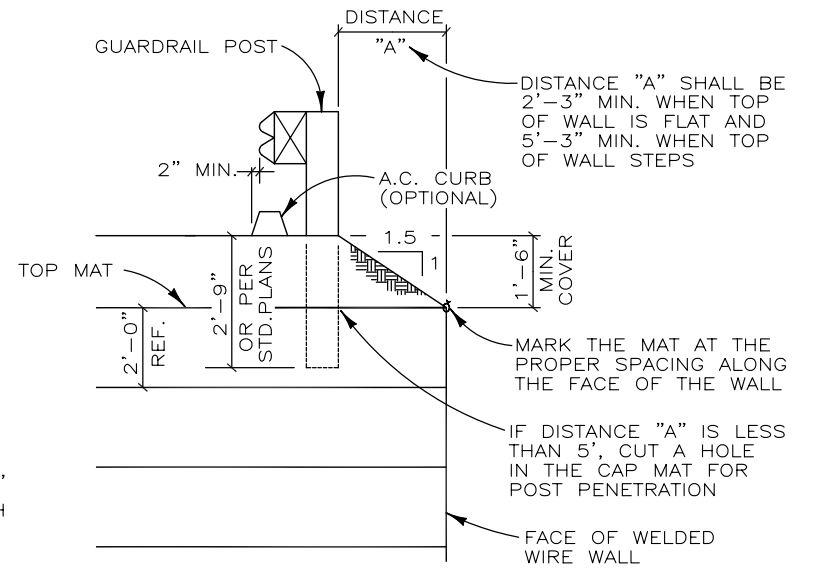
LEGEND
(THIS DETAIL ONLY)

P	8"x12" WWF PRONGLESS MAT
S	8"x12" WWF STANDARD MAT
	8"x21" WWF STANDARD MAT



RETURN MATS AND TOP OF WALL DETAIL

NOT TO SCALE



SECTION

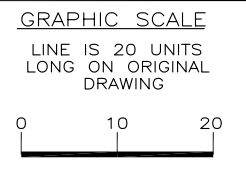
GUARDRAIL DETAIL

NOT TO SCALE
(FENCE DETAIL SIMILAR)

WELDED WIRE WALL STANDARD DETAILS

THIS DRAWING IS FURNISHED SOLELY FOR THE USE OF OR IN CONNECTION WITH THIS PROJECT, AND THE PROPRIETARY INFORMATION SHOWN HEREON IS NOT TO BE TRANSMITTED TO ANY OTHER ORGANIZATION WITHOUT SPECIFIC AUTHORIZATION BY THE HILFIKER COMPANY. HILFIKER RETAINING WALLS ARE PROTECTED BY ONE OR MORE OF THE FOLLOWING PATENTS: 243,613, 243,697, 288,616, 4,117,686, 4,329,089, 4,324,508, 4,391,557, 4,505,621, 4,643,618, 4,661,023, 4,856,939, 5,076,735, 5,647,695, 5,722,799, 6,357,970 AND OTHERS. OTHER PATENTS PENDING (2004)

REV. NO.	DATE	BY	DESCRIPTION
1	6 JAN 03	DR	MINOR REVISIONS
2	25 SEP 06	AMJ	MINOR REVISIONS
3	12 SEP 07	AMJ	MINOR REVISIONS, UPDATED BORDER
4	1 NOV 07	JTE	CHANGED LOGO, FIXED LEADERS



PROJ. MGR.
ENGINEER
CADD BY
DR/AMJ

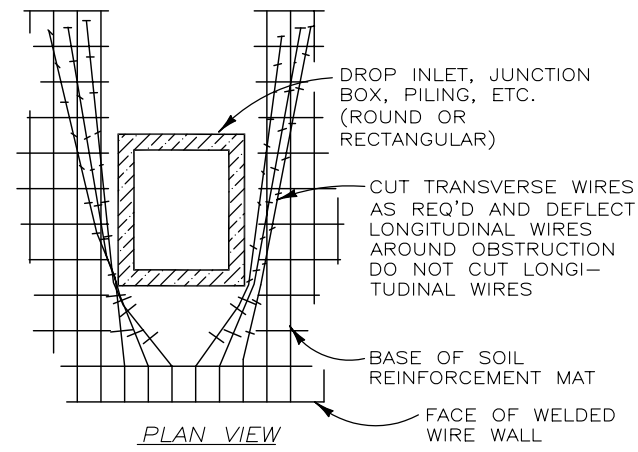
HILFIKER RETAINING WALLS

1902 Hilfiker Lane
Eureka, CA 95503-5711
TOLL-FREE 800.762.8962
PH 707.443.5093 FAX 707.443.2891
WEBSITE www.hilfiker.com E-MAIL info@hilfiker.com

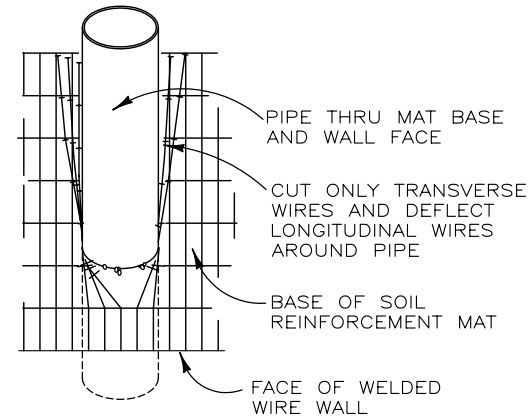
DWG DATE
NOV 98
REVISION DATE
1 NOV 07
SCALE
NOTED

STANDARD DRAWING
WELDED WIRE RETAINING WALL
24" LIFTS
STANDARD DETAILS

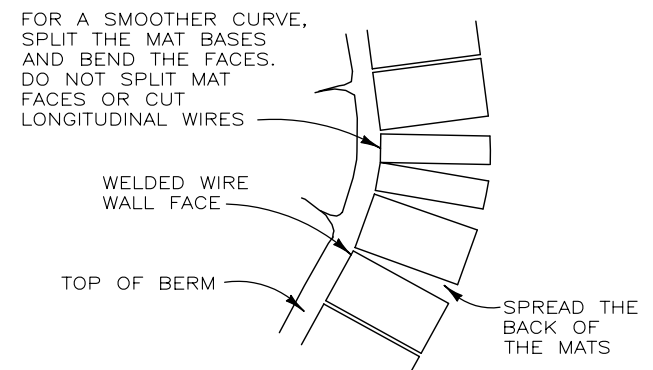
PROJECT NO.
SHEET
2
OF 3



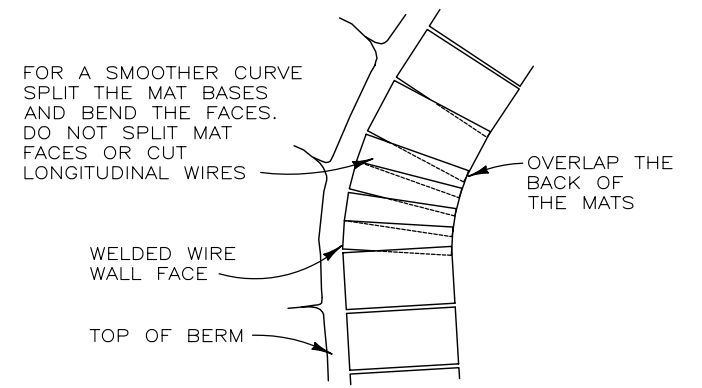
MAT PENETRATION DETAIL
NOT TO SCALE



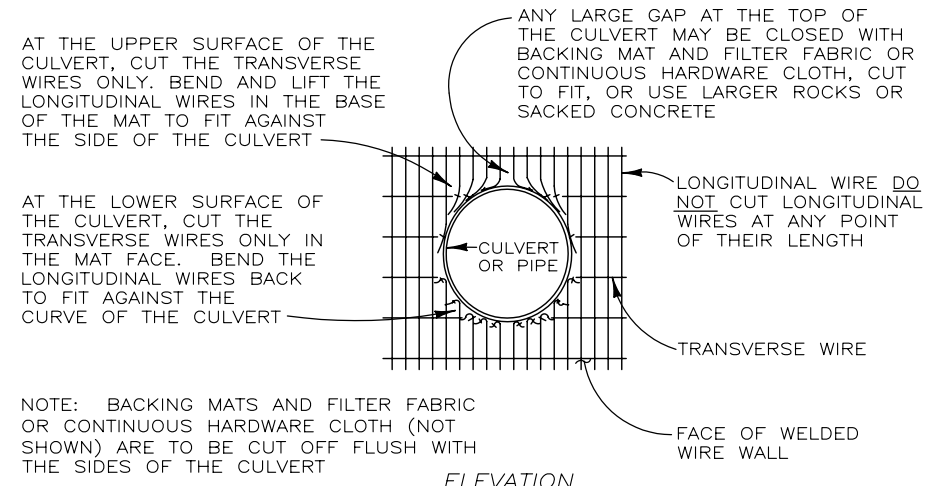
ANGLED PIPE PENETRATION
NOT TO SCALE



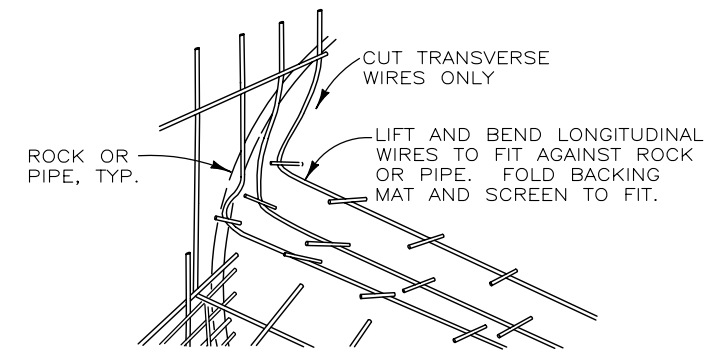
CONCAVE CURVE
NOT TO SCALE



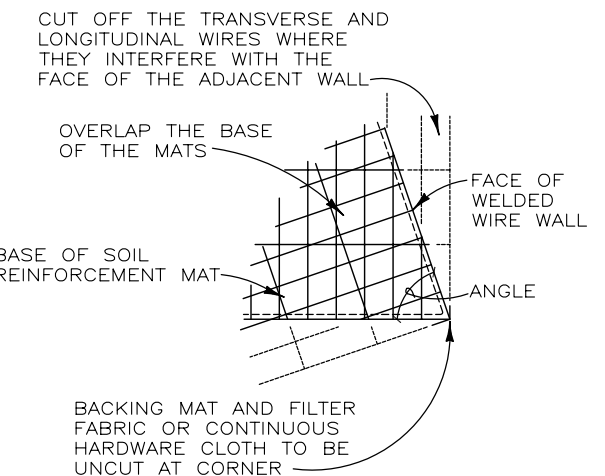
CONVEX CURVE
NOT TO SCALE



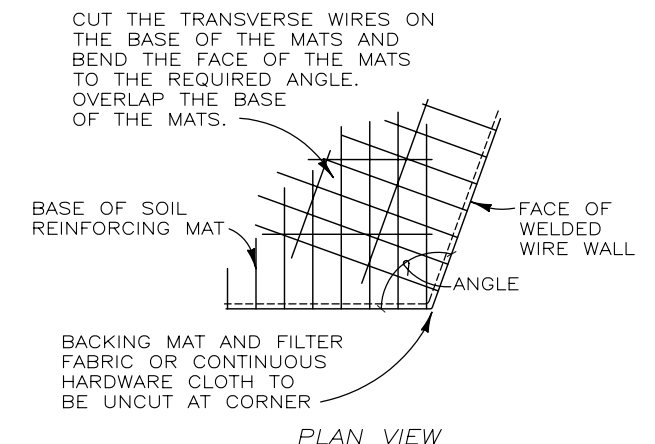
CULVERT THRU WALL FACE
NOT TO SCALE



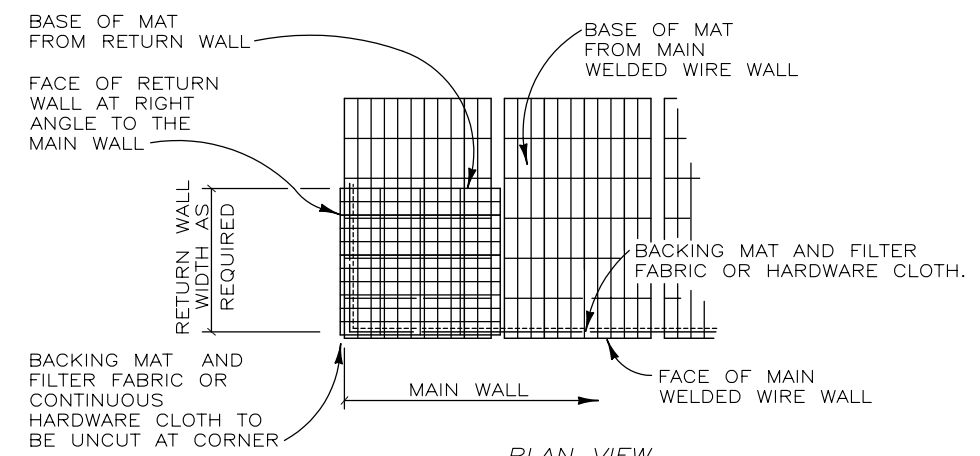
FITTING MATS TO OBSTRUCTION
NOT TO SCALE



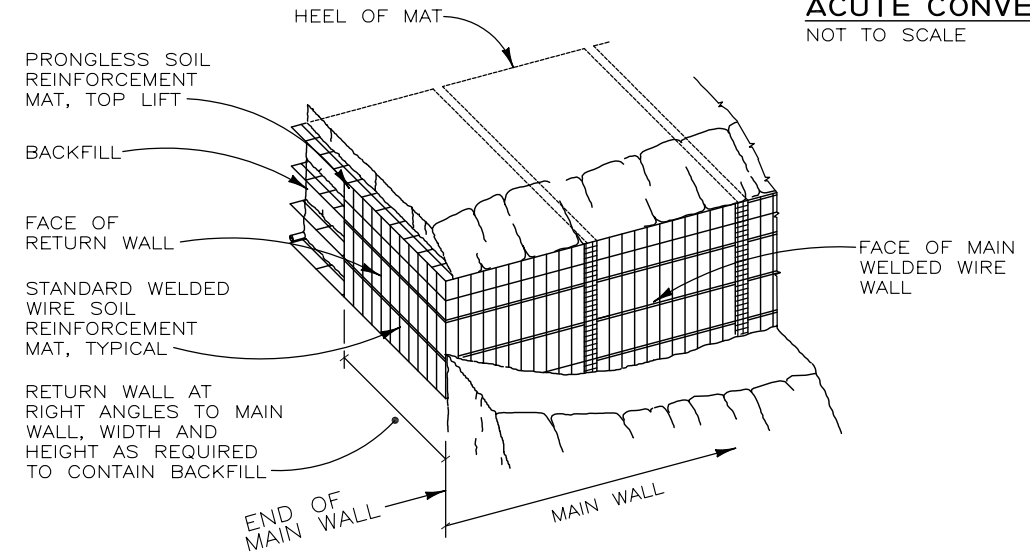
ACUTE CONVEX ANGLE
NOT TO SCALE



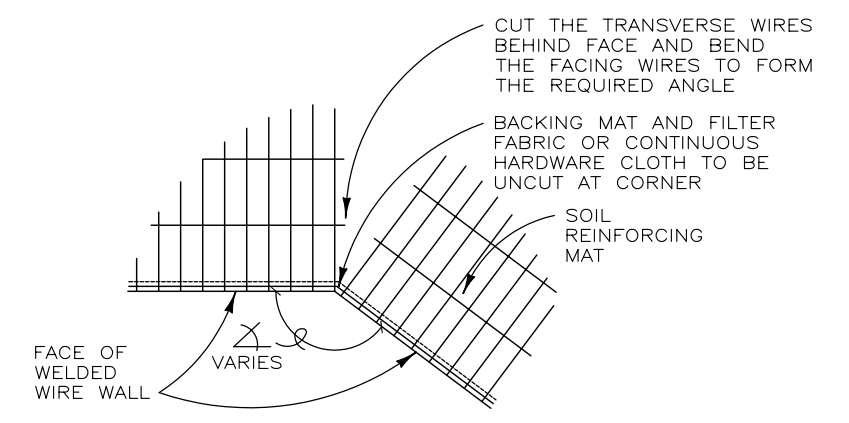
OBTUSE CONVEX ANGLE
NOT TO SCALE



RETURN WALL DETAIL
NOT TO SCALE



RETURN WALL DETAIL
NOT TO SCALE

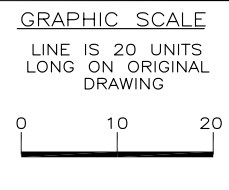


CONCAVE ANGLE DETAIL
NOT TO SCALE

WELDED WIRE WALL STANDARD DETAILS

THIS DRAWING IS FURNISHED SOLELY FOR THE USE OF OR IN CONNECTION WITH THIS PROJECT, AND THE PROPRIETARY INFORMATION SHOWN HEREON IS NOT TO BE TRANSMITTED TO ANY OTHER ORGANIZATION WITHOUT SPECIFIC AUTHORIZATION BY THE HILFIKER COMPANY. HILFIKER RETAINING WALLS ARE PROTECTED BY ONE OR MORE OF THE FOLLOWING PATENTS: 243,613, 243,697, 288,616, 4,117,686, 4,329,089, 4,324,508, 4,391,557, 4,505,621, 4,643,618, 4,661,023, 4,856,939, 5,076,735, 5,647,695, 5,722,799, 6,357,970 AND OTHERS. OTHER PATENTS PENDING (2004)

REV. NO.	DATE	BY	DESCRIPTION
1	6 JAN 03	DR	MINOR REVISIONS
2	25 SEP 06	AMJ	MINOR REVISIONS
3	12 SEP 07	AMJ	MINOR REVISIONS, UPDATED BORDER
4	1 NOV 07	JTE	CHANGED LOGO, FIXED LEADERS



PROJ. MGR.
ENGINEER
CADD BY
DR/AMJ

HILFIKER RETAINING WALLS

1902 Hilfiker Lane
Eureka, CA 95503-5711
TOLL-FREE 800.762.8962
PH 707.443.5093 FAX 707.443.2891
WEBSITE www.hilfiker.com E-MAIL info@hilfiker.com

DWG DATE
NOV 98
REVISION DATE
1 NOV 07
SCALE
NOTED

STANDARD DRAWING
WELDED WIRE RETAINING WALL
24" LIFTS
STANDARD DETAILS

PROJECT NO.
SHEET
3
OF 3