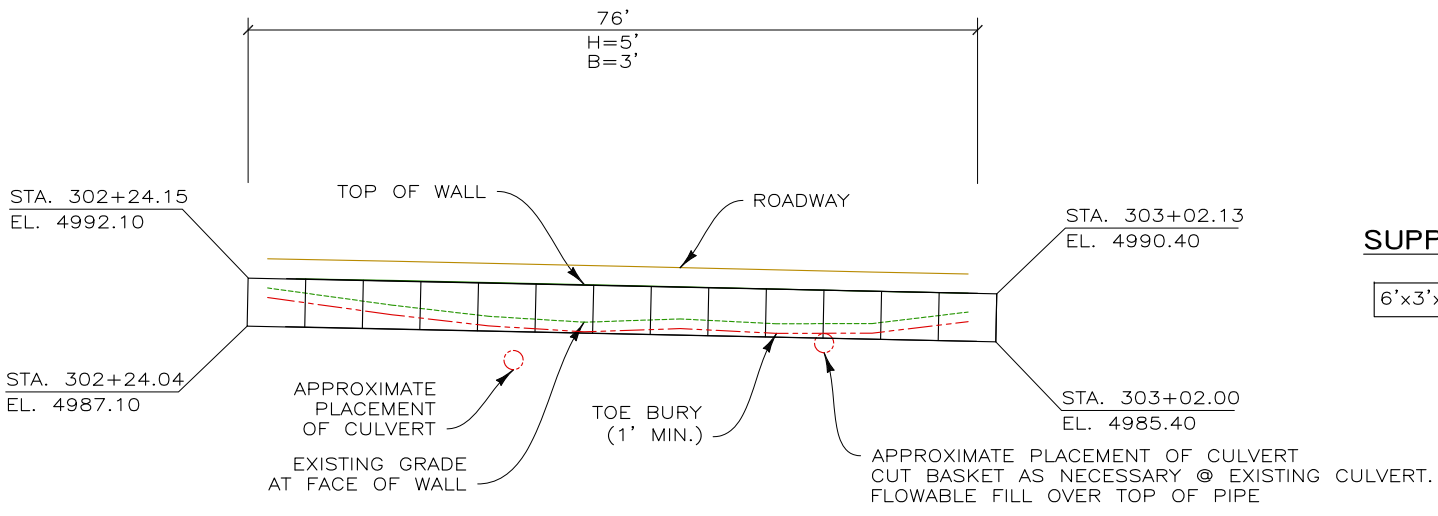


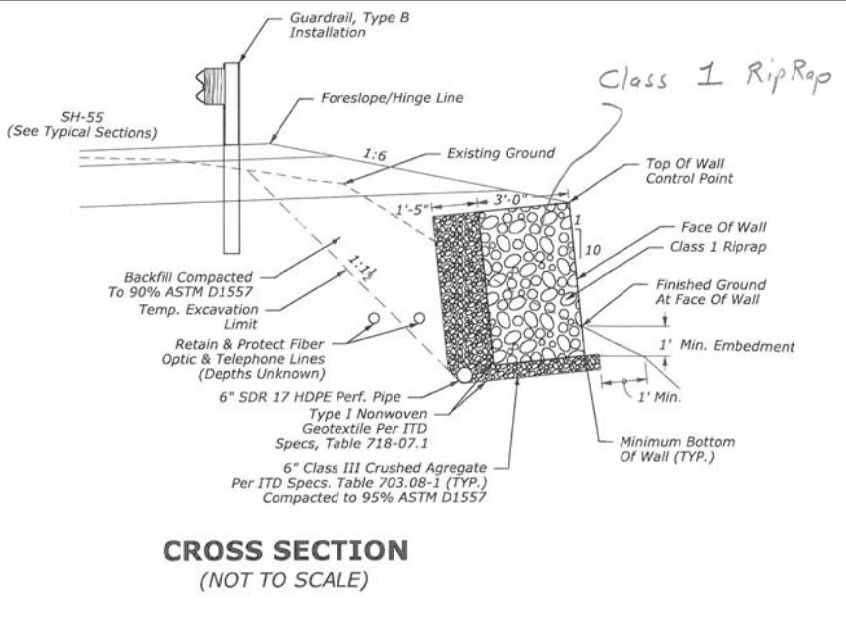
170203AW RETAINING WALL OVER CULVERTS SH. 55



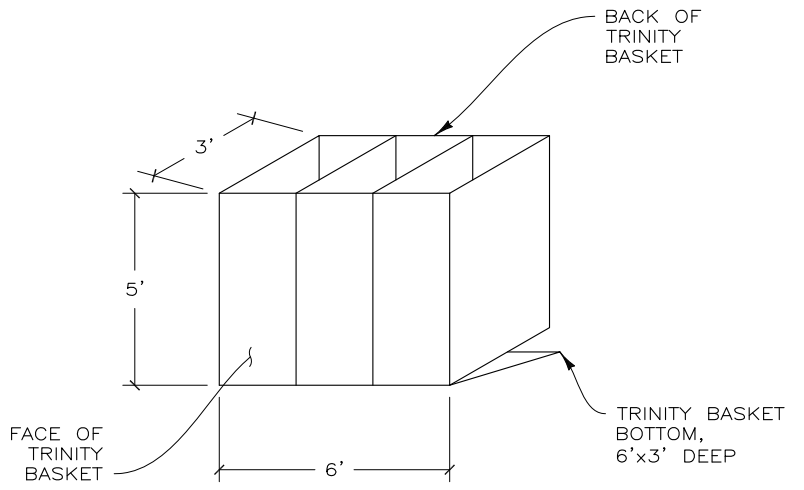
SUPPLIED QUANTITIES:

6'x3'x5' TRINITY BASKETS: 13

DEVELOPED ELEVATION
SCALE: 1" = 20'



CROSS SECTION
(NOT TO SCALE)



ISOMETRIC VIEW - TRINITY BASKET
NOT TO SCALE

REVISION DATE	BY

SCALE	
LINE IS 10 UNITS LONG ON ORIGINAL DRAWING	
0	10

PROJ. MGR. HKH
ENGR
CADD BY AMJ

HILFIKER RETAINING WALLS

1902 Hilfiker Lane
Eureka, CA 95503-5711
TOLL-FREE 800.762.8962
PH 707.443.5093 FAX 707.443.2891
WEB SITE www.hilfiker.com E-MAIL info@hilfiker.com



DWG DATE 13 APR 17
REVISION DATE
SCALE NOTED

SHOP DRAWING
TRINITY BASKET
RETAINING WALL OVER CULVERTS SH 55
WESTERN CONSTRUCTION INC. SH 55, IDAHO
DEVELOPED ELEVATION & ISOMETRIC VIEW

PROJECT NO. 170203AW
SHEET 1
OF 1