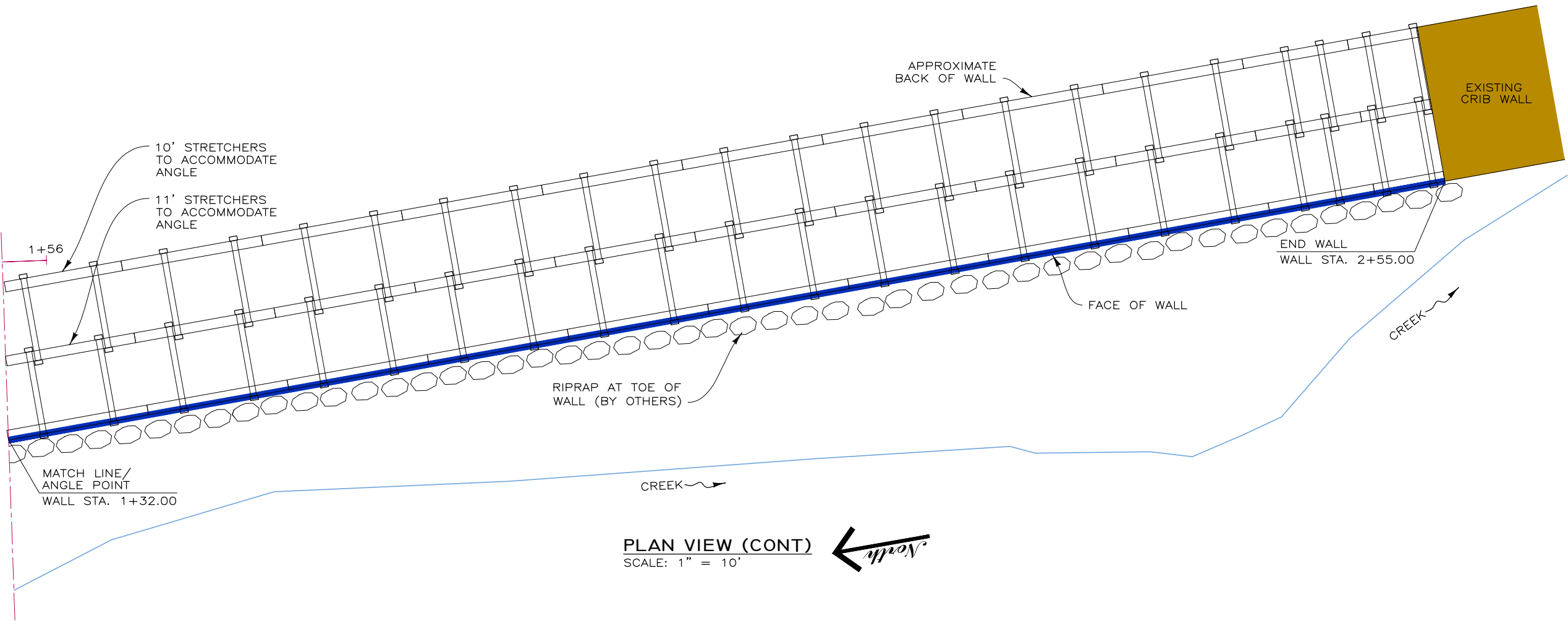


PLAN VIEW
SCALE: 1" = 10'



PLAN VIEW (CONT)
SCALE: 1" = 10'

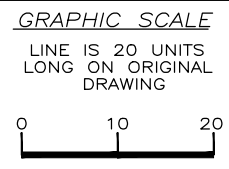
WALL QUANTITIES

STANDARD 7' HEADERS:	456
HEAVY-DUTY HEADERS:	168
TOTAL HEADERS:	624
12' STANDARD STRETCHERS:	293
12' HEAVY-DUTY STRETCHERS:	102
TOTAL 12' STRETCHERS:	395
11' STANDARD STRETCHERS:	8
11' HEAVY-DUTY STRETCHERS:	3
TOTAL 11' STRETCHERS:	11
10' STANDARD STRETCHERS:	8
10' HEAVY-DUTY STRETCHERS:	3
TOTAL 10' STRETCHERS:	11
9' STANDARD STRETCHERS:	42
9' HEAVY-DUTY STRETCHERS:	9
TOTAL 9' STRETCHERS:	51
6' STANDARD STRETCHERS:	33
6' HEAVY-DUTY STRETCHERS:	9
TOTAL 6' STRETCHERS:	42

230518AC - GLENWOOD DRIVE PM 2.58 & 2.60

THIS DRAWING IS FURNISHED SOLELY FOR THE USE OF OR IN CONNECTION WITH THIS PROJECT AND THE PROPRIETARY INFORMATION SHOWN HEREON IS NOT TO BE TRANSMITTED TO ANY OTHER ORGANIZATION WITHOUT SPECIFIC AUTHORIZATION BY THE HILFIKER COMPANY. HILFIKER RETAINING WALLS ARE PROTECTED BY ONE OR MORE OF THE FOLLOWING PATENTS: 243,613; 243,697; 288,616; 4,117,686; 4,329,089; 4,324,508; 4,391,557; 4,505,621; 4,343,318; 4,661,023; 4,856,939; 4,929,125; 5,076,735; 5,647,695; 5,722,799; 5,733,072; 6,357,970B1; 6,874,975B2; 7,033,118B2; AND OTHERS. OTHER PATENTS PENDING (2008)

REV.NO.	DATE	BY	DESCRIPTION
1	14 JUN 23	NMD	REVISED QUANTITIES FOR "2ND ORDER"
2	19 JUN 23	NMD	ADJUSTED HEADER LAYOUT (NO QTY CHANGE)



PROJ. MGR.
RB
DRAWN BY
NMD
REVIEWED BY
LB

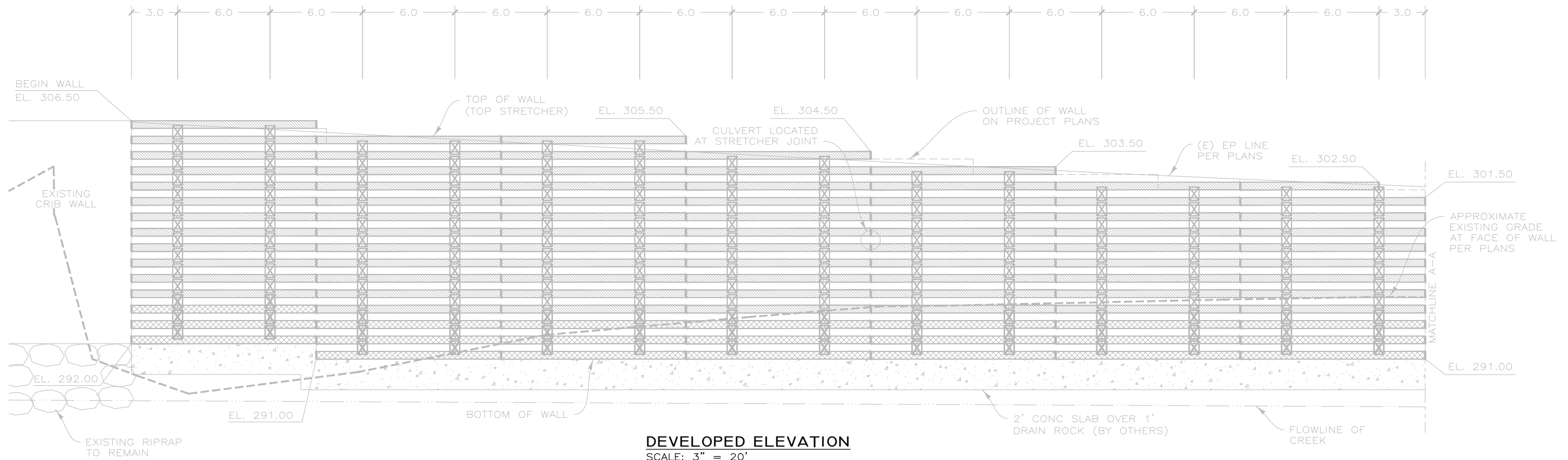
HILFIKER RETAINING WALLS

1902 Hilfiker Lane
Eureka, CA 95503-5711
TOLL-FREE 800.762.8962
PH 707.443.5093 FAX 707.443.2891
WEBSITE www.hilfiker.com E-MAIL info@hilfiker.com

DWG DATE
7 JUN 23
REVISION DATE
14 JUN 23
SCALE
NOTED

FOR BIDDING PURPOSES ONLY
CRIBWALL
GLENWOOD DRIVE PM 2.58 & 2.60
COUNTY OF SANTA CRUZ DEPT OF PUBLIC WORKS
SCOTTS VALLEY, CALIFORNIA
WALL PLAN & QUANTITIES

PROJECT NO.
230518AC
SHEET
1
OF 4



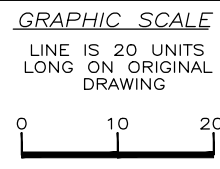
PROJECT-SPECIFIC NOTES:

1. REFERENCE DRAWINGS: COUNTY OF SANTA CRUZ DEPARTMENT OF PUBLIC WORKS PROJECT PLANS DATED 5/16/23, SHEETS 1-4 OF 4.
2. BLACK AND WHITE REPRODUCTION OF THIS COLOR ORIGINAL MAY REDUCE ITS EFFECTIVENESS AND LEAD TO INCORRECT INTERPRETATION.
3. CONCRETE TO CONCRETE BEARING SURFACES SHALL BE FINISHED TO A SMOOTH PLANE. THE GAP BETWEEN BEARING SURFACES SHALL NOT EXCEED 1/8 INCH. WHERE A GAP OF 1/8 TO 1/2 INCH EXISTS, A 1/8 INCH PAD OF ASPHALT FELT OF SHEET NEOPRENE SHALL BE PLACED BETWEEN THE BEARING SURFACES. FOR WALL TYPES B AND C, A 1/8 INCH ASPHALT FELT PAD OR SHEET NEOPRENE SHALL BE PLACED BETWEEN ALL CONCRETE BEARING SURFACES BELOW THE 29'-10" LEVEL.
4. ALL MEMBERS MAY BE MANUFACTURED TO DIMENSIONS 1/8 INCH GREATER IN THICKNESS AND STRETCHERS 1/2 INCH LESS IN LENGTH.
5. FOR NON-TANGENT WALL ALIGNMENT, SPECIAL LENGTH STRETCHERS MAY BE REQUIRED.
6. FOR NON-TANGENT WALL ALIGNMENT AND AT LOCATIONS WHERE FILLER BLOCKS ARE REQUIRED, SPECIAL LENGTH FRONT FACE CLOSURE MEMBERS MAY BE REQUIRED.
7. THE THICKNESS OF THE LOWEST STEP FOR EACH WALL TYPE SHALL NOT BE LESS THAN THE DIMENSION SHOWN ON THESE PLANS.
8. USE "FRONT FACE CLOSURE MEMBER" ONLY WHEN SPECIFIED ON PROJECT PLANS, IN THE SPECIAL PROVISIONS, OR IF REQUIRED BY THE OWNER OR OWNER'S ENGINEER.
9. ALL STRETCHERS ARE 12'-0" EXCEPT AS NOTED.

230518AC - GLENWOOD DRIVE PM 2.58 & 2.60

THIS DRAWING IS FURNISHED SOLELY FOR THE USE OF OR IN CONNECTION WITH THIS PROJECT AND THE PROPRIETARY INFORMATION SHOWN HEREON IS NOT TO BE TRANSMITTED TO ANY OTHER ORGANIZATION WITHOUT SPECIFIC AUTHORIZATION BY THE HILFIKER COMPANY. HILFIKER RETAINING WALLS ARE PROTECTED BY ONE OR MORE OF THE FOLLOWING PATENTS: 243,613; 243,697; 288,616; 4,117,686; 4,329,089; 4,324,508; 4,391,557; 4,505,621; 4,343,318; 4,661,023; 4,856,939; 4,929,125; 5,076,735; 5,647,695; 5,722,799; 5,733,072; 6,357,970B1; 6,874,975B2; 7,033,118B2; AND OTHERS. OTHER PATENTS PENDING (2008)

REV.NO.	DATE	BY	DESCRIPTION
1	14 JUN 23	NMD	REVISED QUANTITIES FOR "2ND ORDER"
2	19 JUN 23	NMD	ADJUSTED HEADER LAYOUT (NO QTY CHANGE)



PROJ. MGR.
RB
DRAWN BY
NMD
REVIEWED BY
LB

HILFIKER RETAINING WALLS

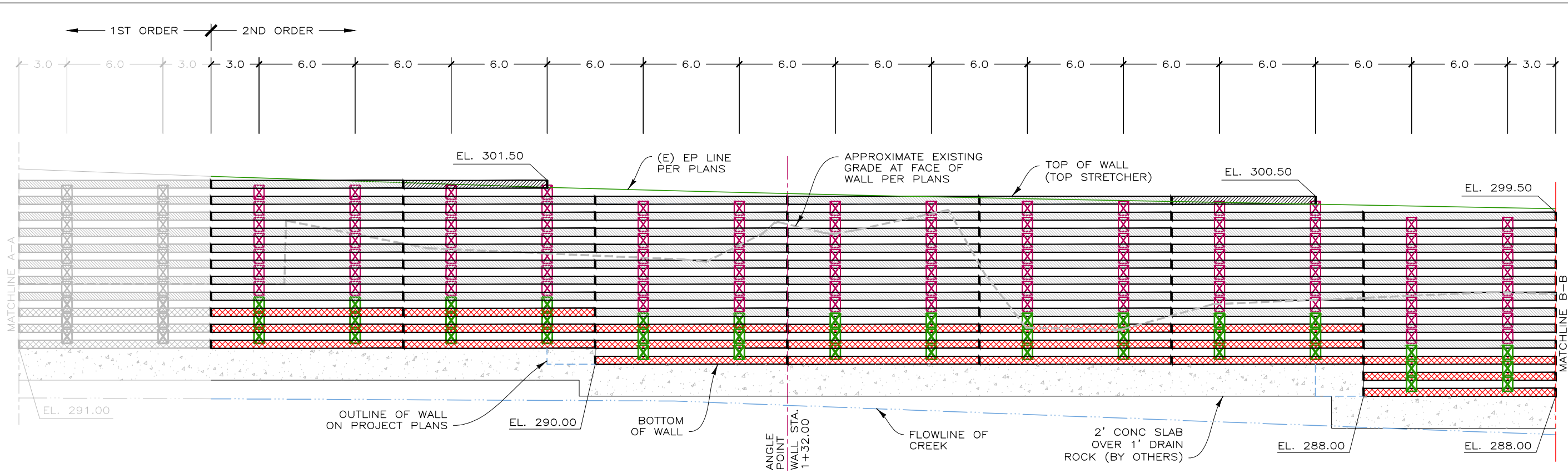
1902 Hilfiker Lane
Eureka, CA 95503-5711
TOLL-FREE 800.762.8962
PH 707.443.5093 FAX 707.443.2891
WEBSITE www.hilfiker.com E-MAIL info@hilfiker.com

SINCE 1902
QUALITY PRODUCTS

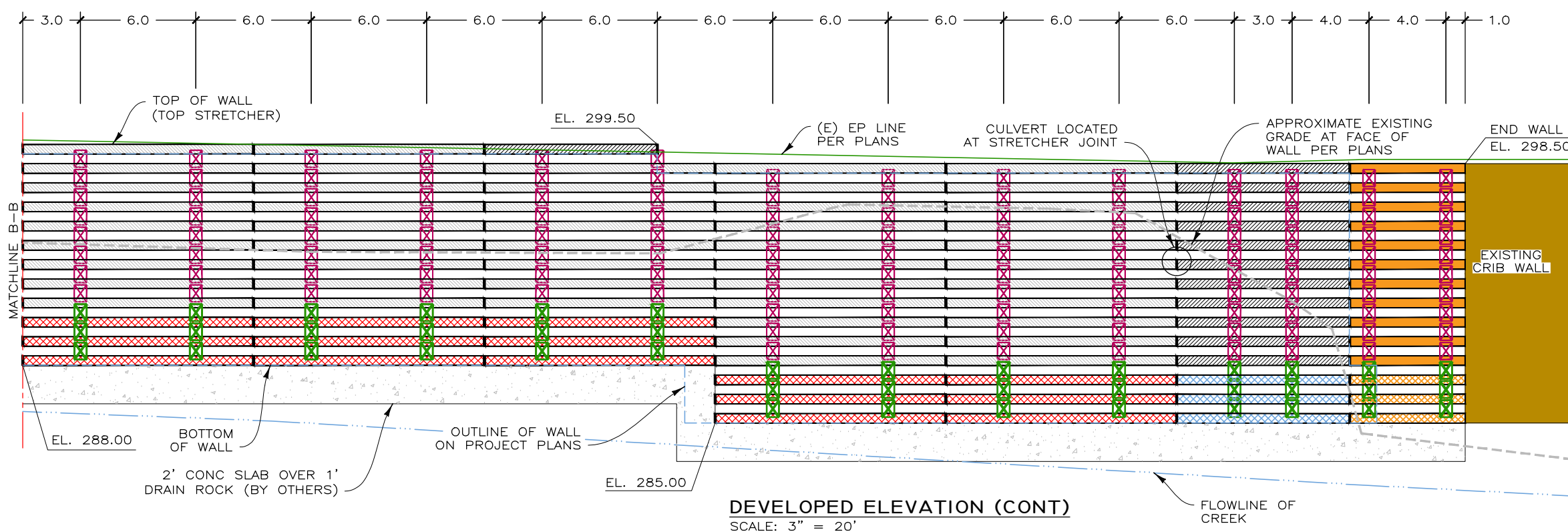
DWG DATE
7 JUN 23
REVISION DATE
14 JUN 23
SCALE
NOTED

FOR BIDDING PURPOSES ONLY
CRIBWALL
GLENWOOD DRIVE PM 2.58 & 2.60
COUNTY OF SANTA CRUZ DEPT OF PUBLIC WORKS
SCOTTS VALLEY, CALIFORNIA
WALL ELEVATION & NOTES

PROJECT NO.
230518AC
SHEET
2
OF 4



DEVELOPED ELEVATION (CONT)
SCALE: 3" = 20'



DEVELOPED ELEVATION (CONT)
SCALE: 3" = 20'

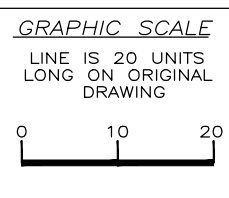
MATERIALS KEY

STANDARD HEADER	
HEAVY-DUTY HEADER	
12' STRETCHER	
HEAVY-DUTY 12' STRETCHER	
9' STRETCHER	
HEAVY-DUTY 9' STRETCHER	
6' STRETCHER	
HEAVY-DUTY 6' STRETCHER	

230518AC - GLENWOOD DRIVE PM 2.58 & 2.60

THIS DRAWING IS FURNISHED SOLELY FOR THE USE OF OR IN CONNECTION WITH THIS PROJECT AND THE PROPRIETARY INFORMATION SHOWN HEREON IS NOT TO BE TRANSMITTED TO ANY OTHER ORGANIZATION WITHOUT SPECIFIC AUTHORIZATION BY THE HILFIKER COMPANY. HILFIKER RETAINING WALLS ARE PROTECTED BY ONE OR MORE OF THE FOLLOWING PATENTS: 243,613; 243,697; 288,616; 4,117,686; 4,329,089; 4,324,508; 4,391,557; 4,505,821; 4,343,318; 4,661,023; 4,856,939; 4,929,125; 5,076,735; 5,647,695; 5,722,799; 5,733,072; 6,357,970B1; 6,874,975B2; 7,033,118B2; AND OTHERS. OTHER PATENTS PENDING (2008)

REV. NO.	DATE	BY	DESCRIPTION
1	14 JUN 23	NMD	REVISED QUANTITIES FOR "2ND ORDER"
2	19 JUN 23	NMD	ADJUSTED HEADER LAYOUT (NO QTY CHANGE)



PROJ. MGR.
RB
DRAWN BY
NMD
REVIEWED BY
LB

HILFIKER RETAINING WALLS

HW

1902 Hilfiker Lane
Eureka, CA 95503-5711
TOLL-FREE 800.762.8962
PH 707.443.5093 FAX 707.443.2891
WEBSITE www.hilfiker.com E-MAIL info@hilfiker.com

SINCE 1902 QUALITY PRODUCTS

DWG DATE
7 JUN 23
REVISION DATE
14 JUN 23
SCALE
NOTED

FOR BIDDING PURPOSES ONLY

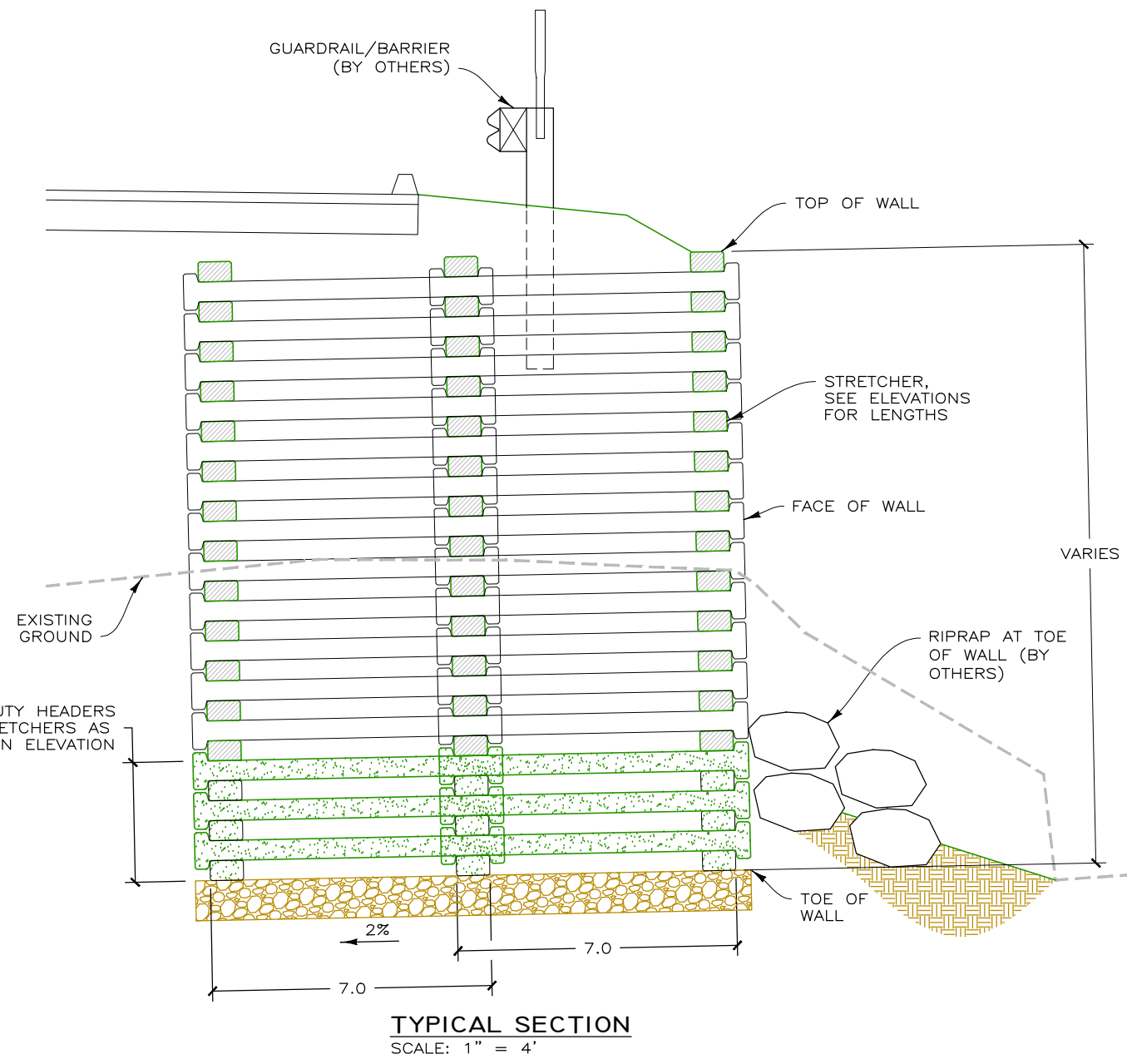
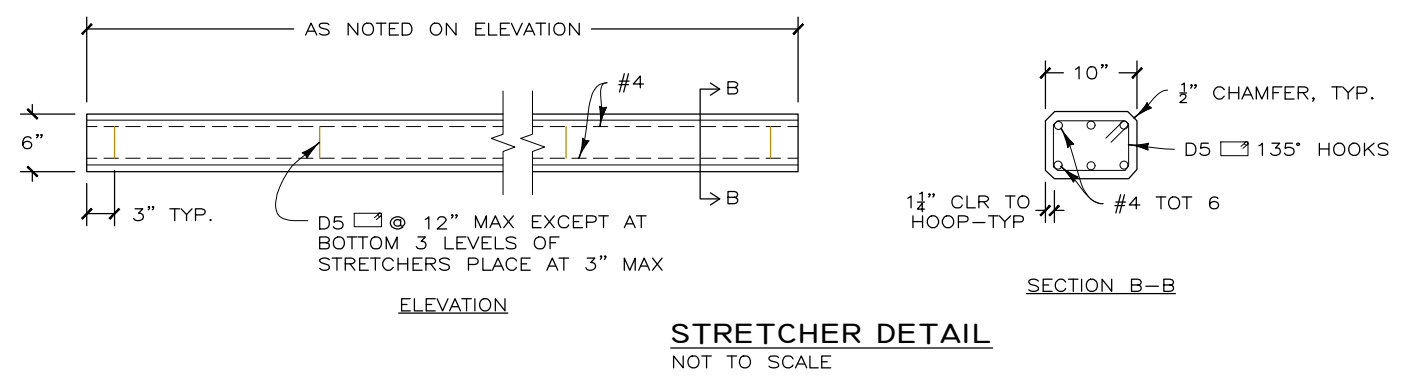
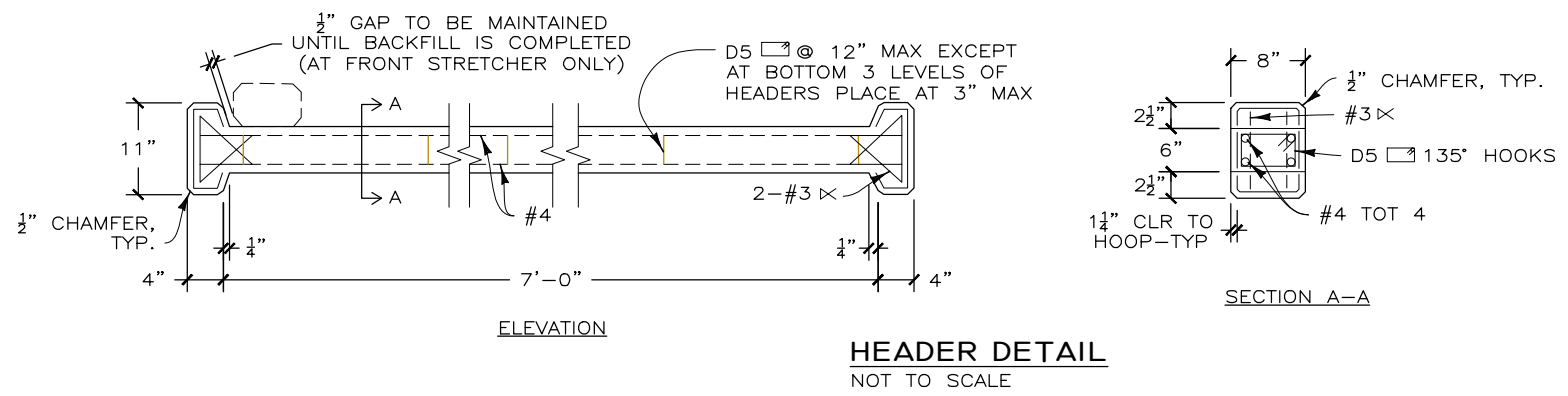
CRIBWALL

GLENWOOD DRIVE PM 2.58 & 2.60
COUNTY OF SANTA CRUZ DEPT OF PUBLIC WORKS
SCOTTS VALLEY, CALIFORNIA

WALL ELEVATION (CONTINUED)

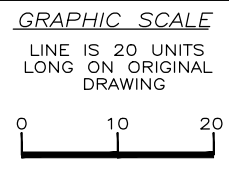
PROJECT NO.
230518AC
SHEET
3
OF 4

230518AC - GLENWOOD DRIVE PM 2.58 & 2.60



THIS DRAWING IS FURNISHED SOLELY FOR THE USE OF OR IN CONNECTION WITH THIS PROJECT AND THE PROPRIETARY INFORMATION SHOWN HEREON IS NOT TO BE TRANSMITTED TO ANY OTHER ORGANIZATION WITHOUT SPECIFIC AUTHORIZATION BY THE HILFIKER COMPANY. HILFIKER RETAINING WALLS ARE PROTECTED BY ONE OR MORE OF THE FOLLOWING PATENTS: 243,613; 243,697; 288,616; 4,117,686; 4,329,089; 4,324,508; 4,391,557; 4,505,621; 4,343,318; 4,661,023; 4,856,939; 4,929,125; 5,076,735; 5,647,695; 5,722,799; 5,733,072; 6,357,970B1; 6,874,975B2; 7,033,118B2; AND OTHERS. OTHER PATENTS PENDING (2008)

REV. NO.	DATE	BY	DESCRIPTION
1	14 JUN 23	NMD	REVISED QUANTITIES FOR "2ND ORDER"
2	19 JUN 23	NMD	ADJUSTED HEADER LAYOUT (NO QTY CHANGE)



PROJ. MGR. RB
DRAWN BY NMD
REVIEWED BY LB

HILFIKER RETAINING WALLS

1902 Hilfiker Lane
Eureka, CA 95503-5711
TOLL-FREE 800.762.8962
PH 707.443.5093 FAX 707.443.2891
WEBSITE www.hilfiker.com E-MAIL info@hilfiker.com

SINCE 1902
QUALITY PRODUCTS

DWG DATE 7 JUN 23
REVISION DATE 14 JUN 23
SCALE NOTED

FOR BIDDING PURPOSES ONLY

CRIBWALL

GLENWOOD DRIVE PM 2.58 & 2.60
COUNTY OF SANTA CRUZ DEPT OF PUBLIC WORKS
SCOTTS VALLEY, CALIFORNIA

TYPICAL SECTION AND DETAILS

PROJECT NO. 230518AC
SHEET 4 OF 4