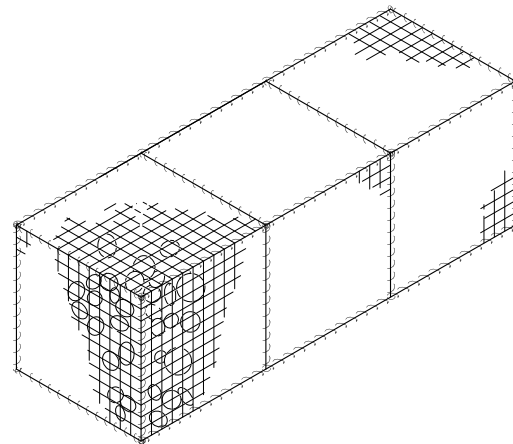
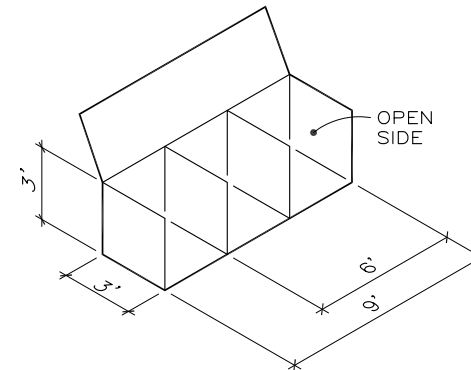


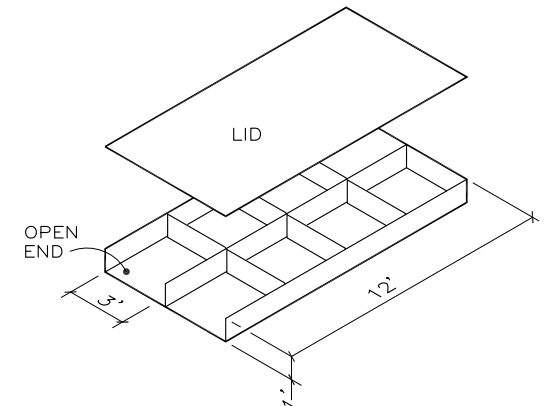
TYPICAL GABION
NOT TO SCALE



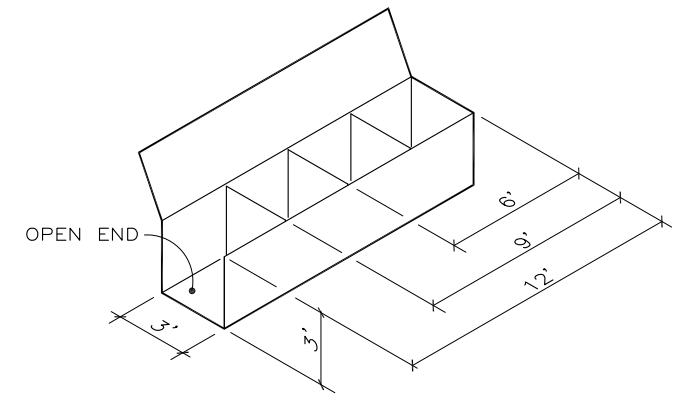
TYPICAL ASSEMBLED GABION
NOT TO SCALE



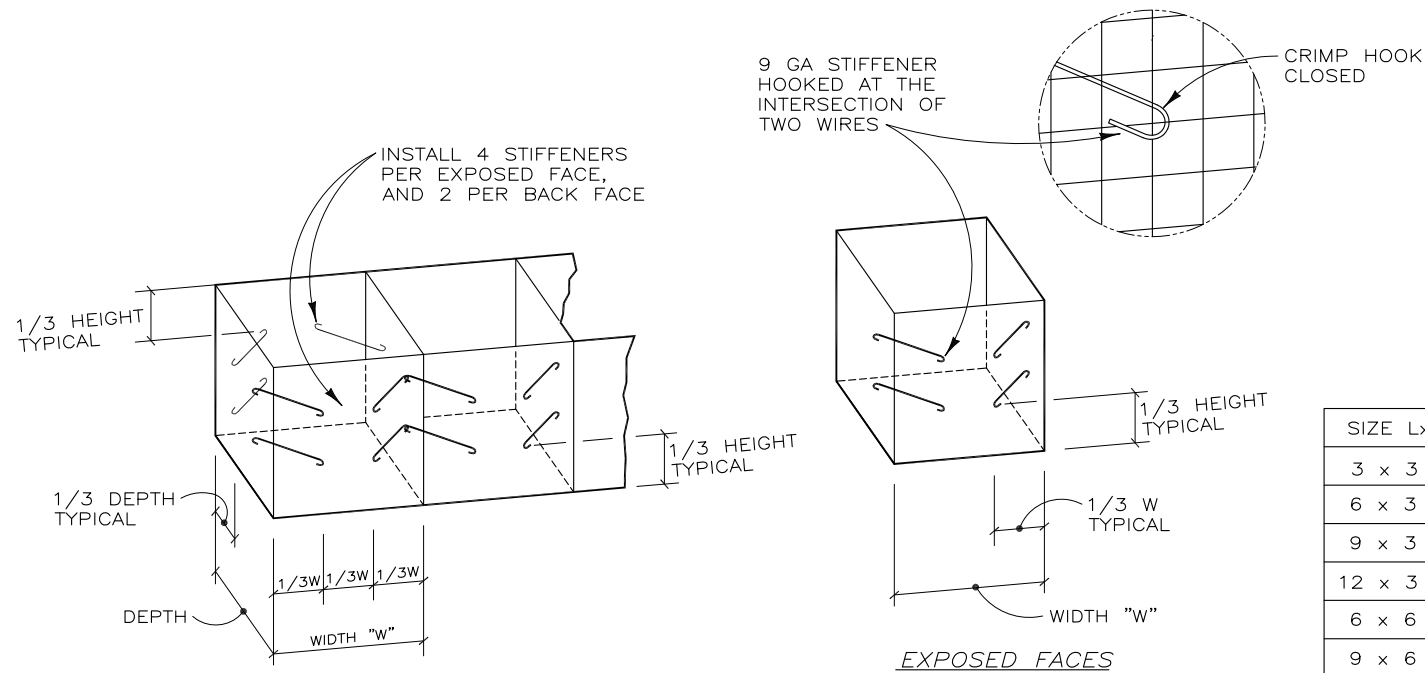
NOTE: SIZES CAN VARY
TYPICAL OPEN SIDE
NOT TO SCALE



NOTE: SIZES CAN VARY
TYPICAL MATTRESS
NOT TO SCALE



NOTE: SIZES CAN VARY
TYPICAL OPEN END
NOT TO SCALE



STIFFENER DETAILS
NOT TO SCALE

STANDARD GABION SIZES

SIZE LxWxH	CU.YD.	SIZE LxWxH	CU.YD.	SIZE LxWxH	CU.YD.
3 x 3 x 3	1	3 x 3 x 1.5	0.5	3 x 3 x 1	0.33
6 x 3 x 3	2	6 x 3 x 1.5	1	6 x 3 x 1	0.67
9 x 3 x 3	3	9 x 3 x 1.5	1.5	9 x 3 x 1	1
12 x 3 x 3	4	12 x 3 x 1.5	2	12 x 3 x 1	1.33
6 x 6 x 3	4	6 x 6 x 1.5	2	6 x 6 x 1	1.33
9 x 6 x 3	6	9 x 6 x 1.5	3	9 x 6 x 1	2
12 x 6 x 3	8	12 x 6 x 1.5	4	12 x 6 x 1	2.67
24 x 6 x 3	16	24 x 6 x 1.5	8	24 x 6 x 1	5.33

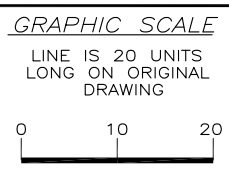
NOTES

- GABION SIZES ARE EXPRESSED IN FEET.
- MATTRESSES AND CUSTOM SIZES PROVIDED ON REQUEST.
- GABIONS WHICH ARE TO BE CONNECTED TOGETHER SIDE-TO-SIDE OR END-TO-END, MAY BE PROVIDED OPEN-SIDED OR OPEN-ENDED AS SHOWN TO REDUCE WEIGHT, COST, AND ASSEMBLY TIME.
- GABIONS ARE MANUFACTURED OF 3"x3" WELDED WIRE MESH, WIRE SIZE AND FINISH VARIES;
9 GA. BRITE BASIC (BLACK)
9 GA. WITH 0.9 OZ/SF ZINC COATING
11 GA. WITH 0.85 OZ/SF ZINC COATING.
OPTIONAL 2.0 OZ/SF ZINC COATING IS AVAILABLE ON REQUEST.

STANDARD GABION DETAILS

WHERE HEIGHT OF GABION IS 18" OR LESS, INSTALL 2 STIFFENERS PER FACE
WHERE HEIGHT IS 12", NO STIFFENERS REQUIRED

REV.NO.	DATE	BY	DESCRIPTION
1	16 JUN 98	DR	REVISED ZINC COATING THICKNESS
2	12 APR 02	DR	UPDATED BORDER
3	15 NOV 06	AMJ	UPDATED BORDER, MINOR CHANGES
4	11 NOV 07	JTE	MINOR CHANGES



PROJ.MGR.
ENGINEER
CADD BY
HRW

HILFIKER RETAINING WALLS

1902 Hilfiker Lane
Eureka, CA 95503-5711
TOLL-FREE 800.762.8962
PH 707.443.5093 FAX 707.443.2891
WEBSITE www.hilfiker.com E-MAIL info@hilfiker.com

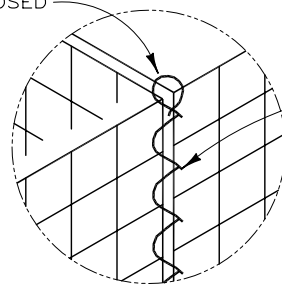
SINCE 1902
QUALITY PRODUCTS

DWG DATE
17 JUL 95
REVISION DATE
11 NOV 07
SCALE
NOTED

STANDARD DRAWING	PROJECT NO.	
ARTWELD GABIONS		SHEET 1
DETAILS AND NOTES		OF 2

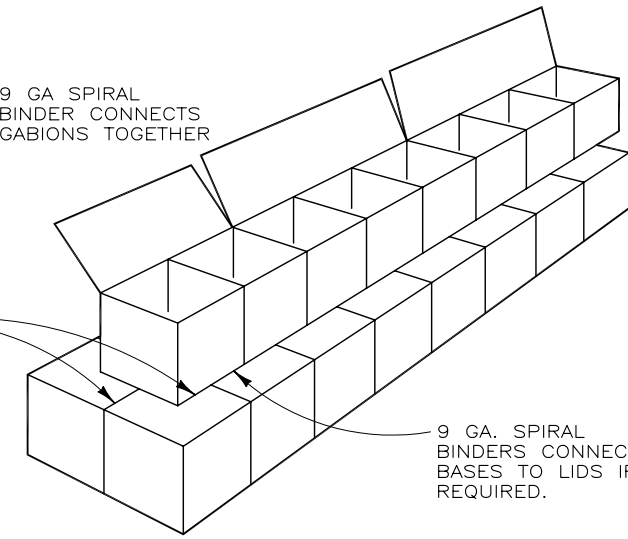
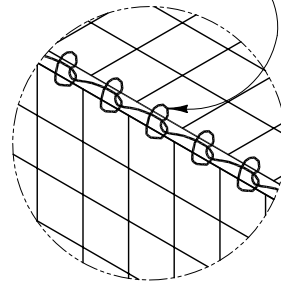
STANDARD GABION DETAILS

CRIMP ENDS OF SPIRAL CLOSED



9 GA SPIRAL BINDER CONNECTS GABIONS TOGETHER

OPTIONAL 13 GA TIE WIRE, ONE HITCH AT 3" SPACING

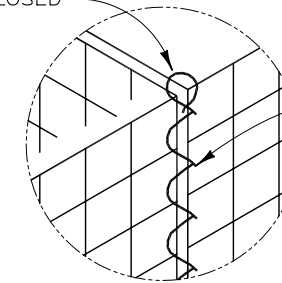


9 GA. SPIRAL BINDERS CONNECT BASES TO LIDS IF REQUIRED.

ASSEMBLY DETAILS - STEP FACE WALL

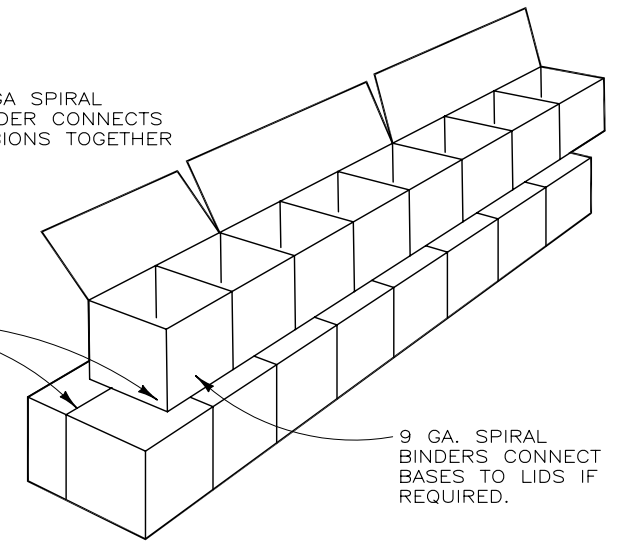
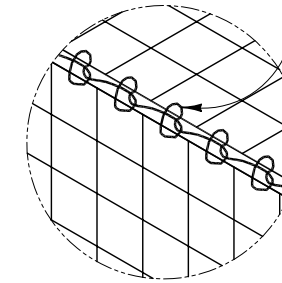
NOT TO SCALE

CRIMP ENDS OF SPIRAL CLOSED



9 GA SPIRAL BINDER CONNECTS GABIONS TOGETHER

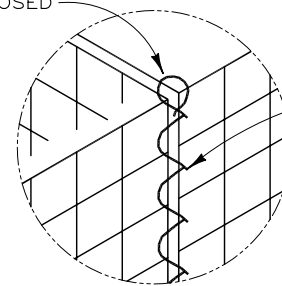
OPTIONAL 13 GA TIE WIRE, ONE HITCH AT 3" SPACING



9 GA. SPIRAL BINDERS CONNECT BASES TO LIDS IF REQUIRED.

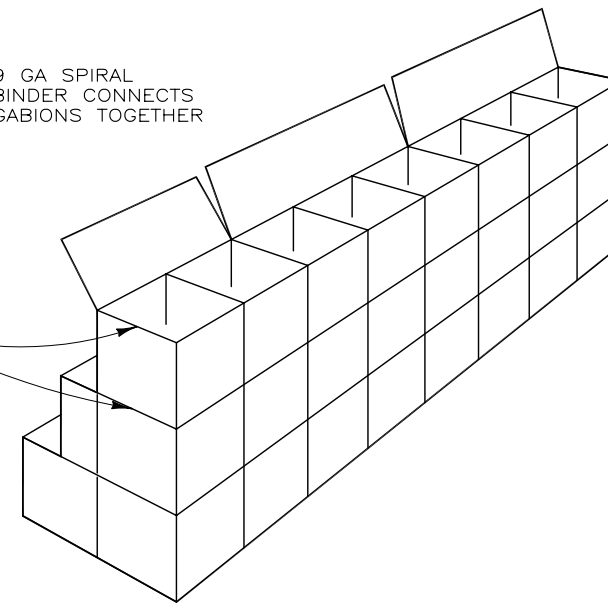
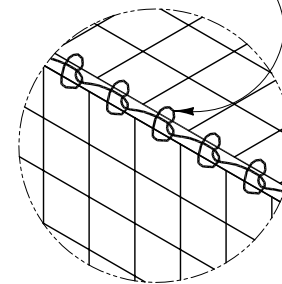
ASSEMBLY DETAILS

CRIMP ENDS OF SPIRAL CLOSED



9 GA SPIRAL BINDER CONNECTS GABIONS TOGETHER

OPTIONAL 13 GA TIE WIRE, ONE HITCH AT 3" SPACING

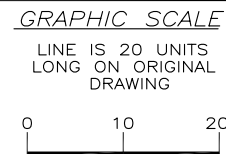


ASSEMBLY DETAILS - VERTICAL WALL

NOT TO SCALE

THIS DRAWING IS FURNISHED SOLELY FOR THE USE OF OR IN CONNECTION WITH THIS PROJECT, AND THE PROPRIETARY INFORMATION SHOWN HEREON IS NOT TO BE TRANSMITTED TO ANY OTHER ORGANIZATION WITHOUT SPECIFIC AUTHORIZATION BY THE HILFIKER COMPANY. HILFIKER RETAINING WALLS ARE PROTECTED BY ONE OR MORE OF THE FOLLOWING PATENTS: 243,613, 243,697, 288,616, 4,117,686, 4,329,089, 4,324,508, 4,391,557, 4,505,621, 4,643,618, 4,661,023, 4,856,939, 5,076,735, 5,647,695, 5,722,799, 6,357,970 AND OTHERS. OTHER PATENTS PENDING (2004)

REV.NO.	DATE	BY	DESCRIPTION
1	6/16/98	DR	REVISED ZINC COATING THICKNESS
2	4/12/02	DR	UPDATED BORDER
3	15 NOV 06	AMJ	UPDATED BORDER, MINOR CHANGES
4	11 NOV 07	JTE	MINOR CHANGES



PROJ.MGR.
ENGINEER
CADD BY
HRW

HILFIKER RETAINING WALLS

1902 Hilfiker Lane
Eureka, CA 95503-5711
TOLL-FREE 800.762.8962
PH 707.443.5093 FAX 707.443.2891
WEBSITE www.hilfiker.com E-MAIL info@hilfiker.com

DWG DATE
MAY 08
REVISION DATE
SCALE
NOTED

STANDARD DRAWING	PROJECT NO.
ARTWELD GABIONS	SHEET 2
DETAILS AND NOTES	OF 2