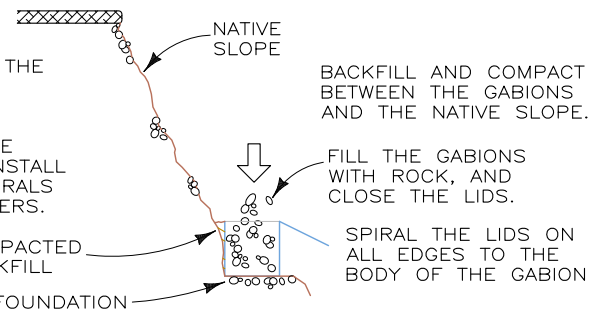


STEP 1
 PREPARE THE FOUNDATION FOR THE GABIONS.
 BEGIN THE FILTER FABRIC AND PLACE THE GABIONS. INSTALL THE VERTICAL SPIRALS AND THE STIFFENERS.

BACKFILL AND COMPACT BETWEEN THE GABIONS AND THE NATIVE SLOPE.

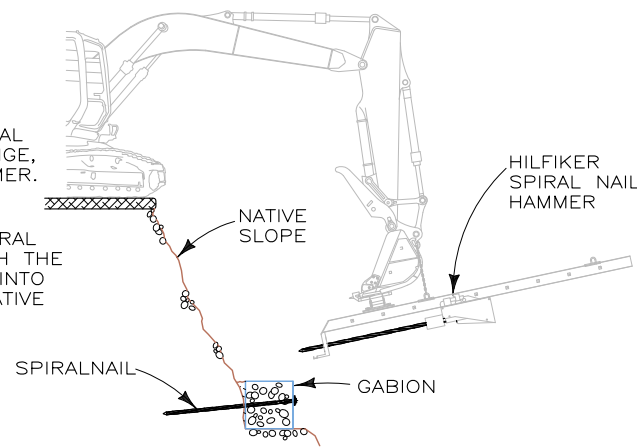
FILL THE GABIONS WITH ROCK, AND CLOSE THE LIDS.

SPIRAL THE LIDS ON ALL EDGES TO THE BODY OF THE GABION



STEP 2
 LOAD THE SPIRAL NAIL WITH FLANGE, INTO THE HAMMER.

DRIVE THE SPIRAL NAILS THROUGH THE GABIONS AND INTO COMPETENT NATIVE SLOPE.

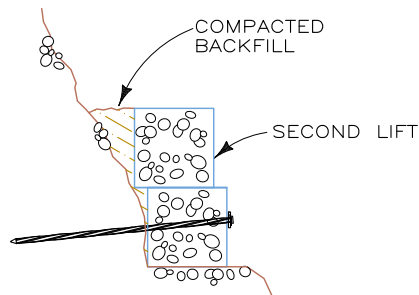


STEP 3
 PLACE THE SECOND LIFT OF GABIONS AND SPIRAL THEM PERMANENTLY TO THE LIFT BELOW.

INSTALL THE VERTICAL SPIRALS AND STIFFENERS IN THE SECOND LIFT.

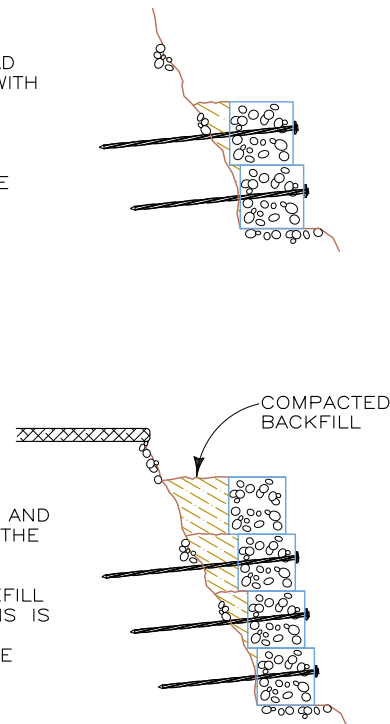
PLACE THE ROCK, CLOSE AND SECURE THE LIDS.

BACKFILL AND COMPACT CAREFULLY BEHIND THE GABIONS.



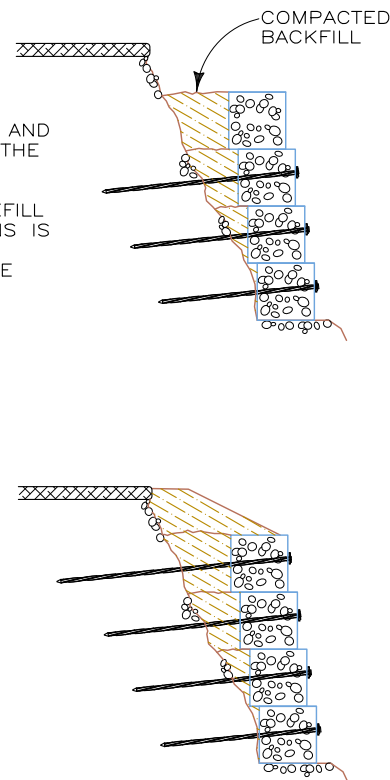
STEP 4
 AS IN STEP 2, LOAD THE SPIRAL NAIL, WITH FLANGE INTO HTE HAMMER.

DRIVE THE SPIRAL NAILS THROUGH THE GABIONS AND INTO COMPETENT NATIVE SLOPE.

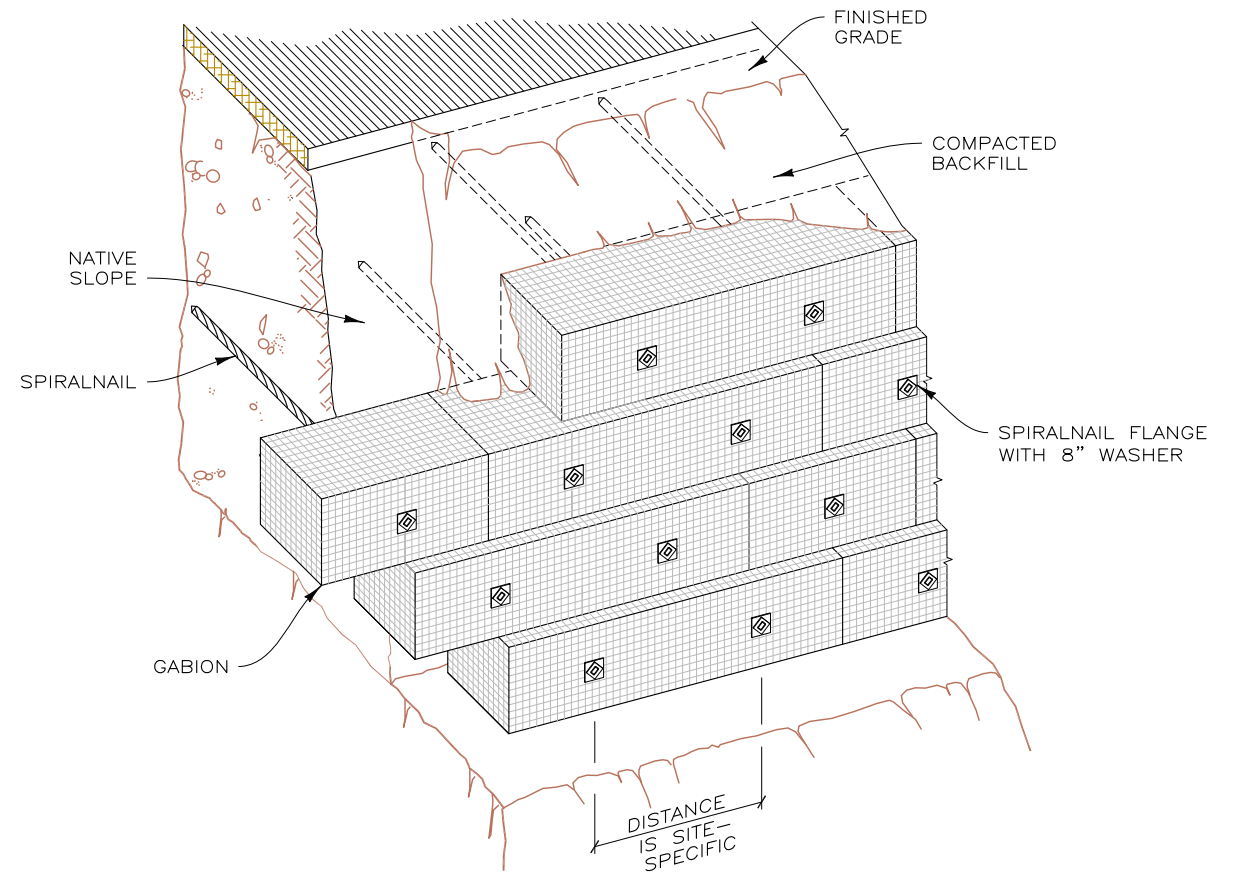
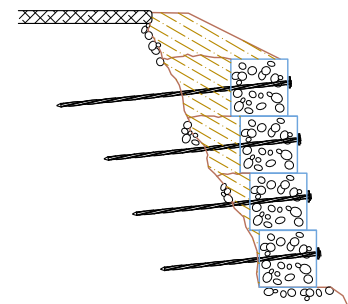


STEP 5
 CONTINUE STEPS 3 AND 4 TO THE TOP OF THE GABION WALL.

BE SURE THE BACKFILL BEHIND THE GABIONS IS COMPACTED FULLY BEFORE DRIVING THE SPIRAL NAILS.

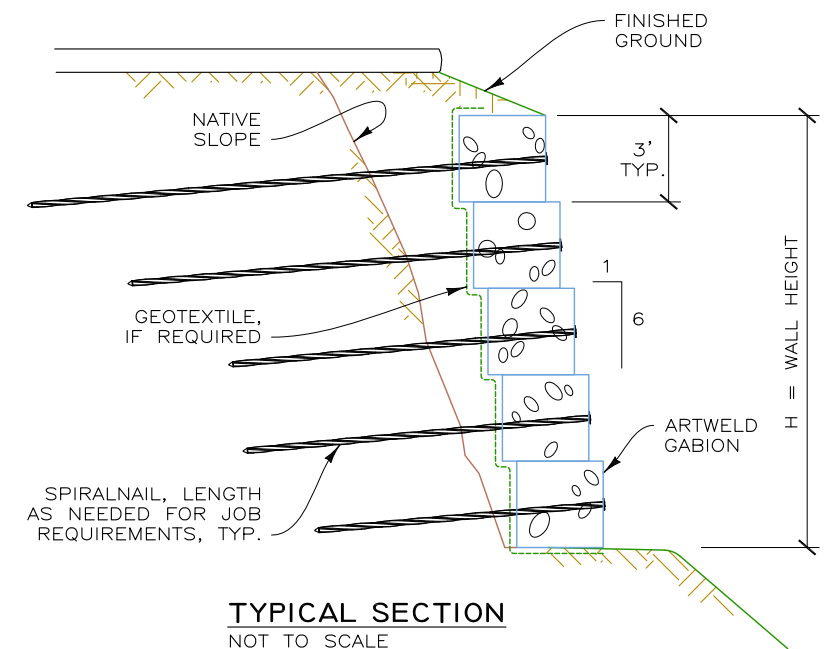
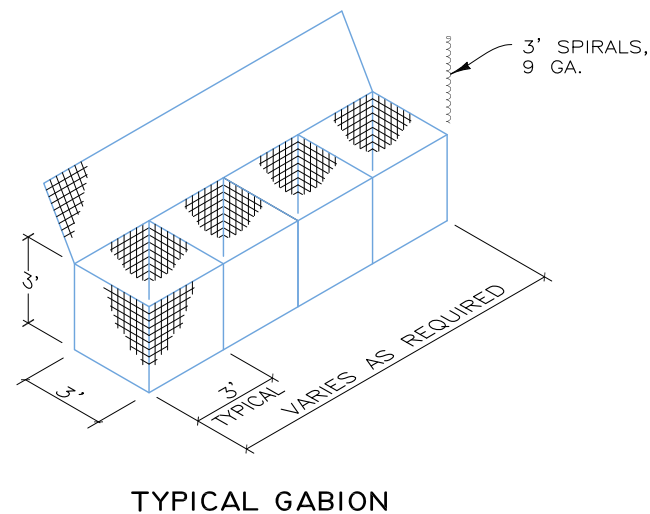
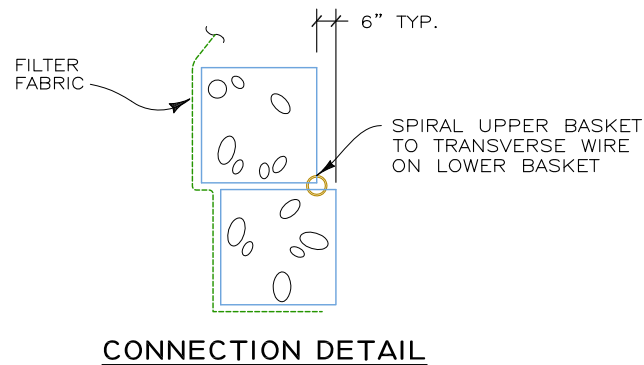
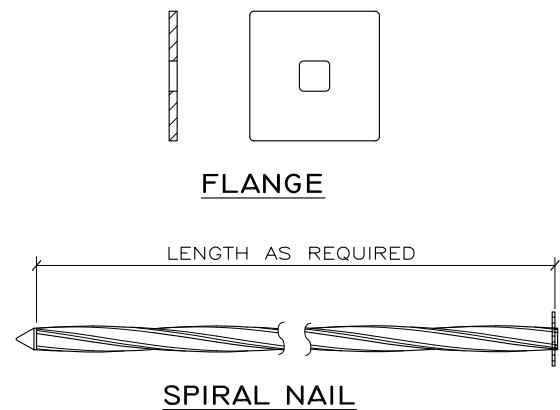


STEP 6
 FINISH THE BACKFILL OVER THE TOP OF THE GABIONS.



PICTORIAL ELEVATION
 NOT TO SCALE

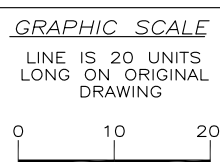
CONSTRUCTION SEQUENCE



MIXED WALL SYSTEMS \ GABION WALL WITH SPIRALNAILS

THIS DRAWING IS FURNISHED SOLELY FOR THE USE OF OR IN CONNECTION WITH THIS PROJECT AND THE PROPRIETARY INFORMATION SHOWN HEREON IS NOT TO BE TRANSMITTED TO ANY OTHER ORGANIZATION WITHOUT SPECIFIC AUTHORIZATION BY THE HILFIKER COMPANY. HILFIKER RETAINING WALLS ARE PROTECTED BY ONE OR MORE OF THE FOLLOWING PATENTS: 243,613; 243,697; 288,616; 4,117,686; 4,329,089; 4,324,506; 4,391,557; 4,505,621; 4,343,318; 4,661,023; 4,856,939; 4,929,125; 5,076,735; 5,647,695; 5,722,799; 5,733,072; 6,357,970B1; 6,874,975B2; 7,033,118B2; AND OTHERS. OTHER PATENTS PENDING (2008)

REV. NO.	DATE	BY	DESCRIPTION
1	13 SEP 10	AMJ	UPDATED BORDER
2	27 JAN 17	AMJ	ADDED COLOR, MINOR REVISIONS



PROJ. MGR. --
 ENGINEER --
 CADD BY DR/AMJ

HILFIKER RETAINING WALLS

1902 Hilfiker Lane
 Eureka, CA 95503-5711
 TOLL-FREE 800.762.8962
 PH 707.443.5093 FAX 707.443.2891
 WEB SITE www.hilfiker.com E-MAIL info@hilfiker.com

DWG DATE 8 APR 93
 REVISION DATE 27 JAN 17
 SCALE NOTED

STANDARD DRAWING
 ARTWELD GABION RETAINING WALL
ARTWELD GABION WALL WITH HILFIKER SPIRALNAILS
 DETAILS

PROJECT NO. --
 SHEET 1 OF 1