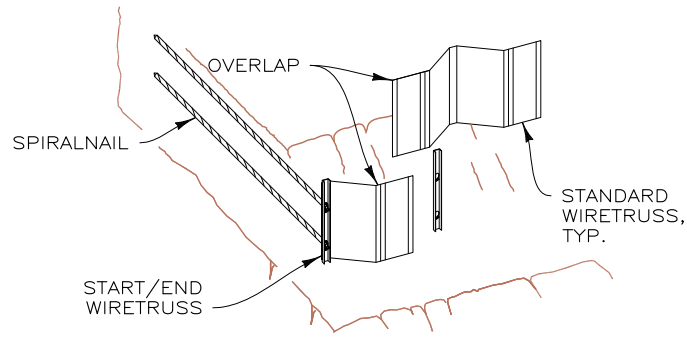


STEP 1

IF PREPARED SOIL WILL SUPPORT PILASTERS, POSITION PILASTERS EVERY SIX FEET ALONG WALL LAYOUT LINE AND SET BOTTOM OF PILASTER INTO GROUND PER PROJECT PLANS.

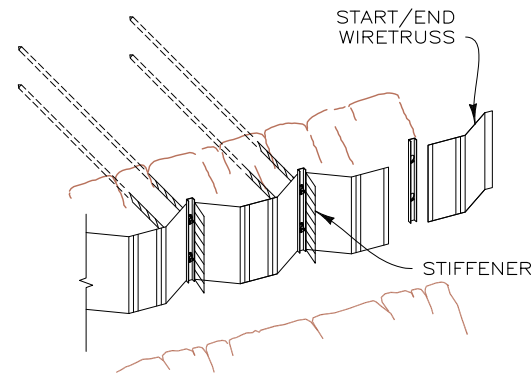
IF PILASTERS CANNOT BE PRE-POSITIONED, PLACE START/END TRUSS ON PREPARED SLOPE FIRST THEN POSITION THE PILASTER CHANNEL AGAINST THE EDGE OF THE TRUSS AND SET BOTTOM OF PILASTER INTO GROUND PER PROJECT PLANS. DRIVE SPIRALNAILS THROUGH THE PILASTER INTO THE SOIL. PLACE CAM LOCK ON EACH SPIRALNAIL AND TIGHTEN TO TORQUE SPECIFICATIONS.



STEP 2

IF PILASTERS HAVE NOT BEEN PRE-POSITIONED, POSITION NEXT PILASTER AND SET INTO GROUND. PLACE THE STANDARD TRUSS BEHIND PILASTER AND OVERLAP PANEL AGAINST THE START/END TRUSS USING ZIP TIES OR TIE WIRE TO SECURE TRUSS IN PLACE. DRIVE IN SPIRALNAILS AND LOCK WITH CAM LOCKS.

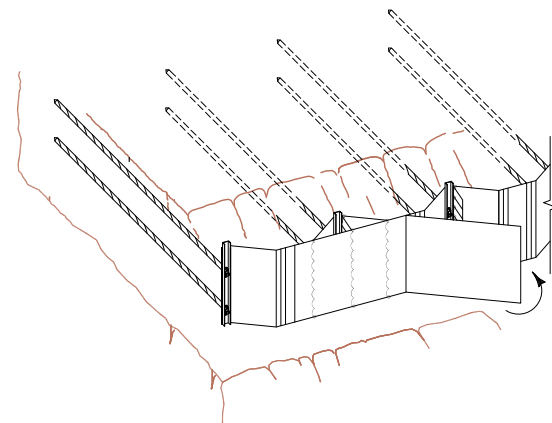
CONTINUE ADDING STANDARD TRUSSES ALONG WALL ENDING AT FINAL PILASTER WITH A START/END TRUSS



STEP 3

POSITION START/END TRUSS, ADD PILASTER IF NEEDED, DRIVE IN SPIRALNAILS AND LOCK IN PLACE WITH CAM LOCKS.

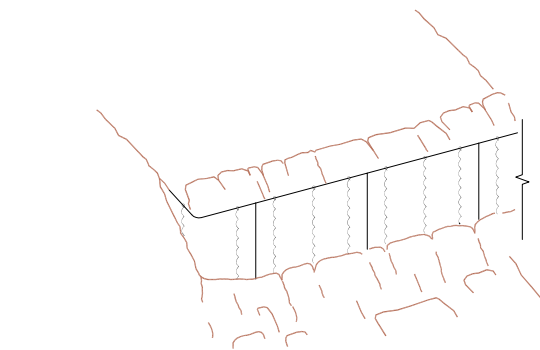
SPIRAL STIFFENERS ONTO STANDARD TRUSSES AT WIRE ON RIGHT SIDE OF PILASTER.



STEP 4

TO BEGIN FACING THE WALL, CENTER EDGES OF A FACING PANEL ON TRUSS OVERLAP. SPIRAL THE ENDS OF OVERLAP AND THE STIFFENER TO FACE PANEL.

PLACE EDGE OF NEXT FACE PANEL AGAINST PREVIOUS PANEL AND SPIRAL TO WIRETRUSS

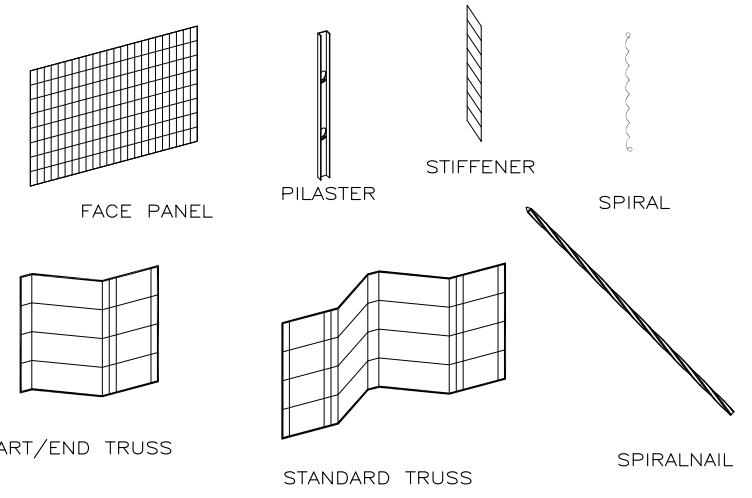


STEP 5

FOR CLOSURE FACING AT EACH END OF WALL, BEND FACING PANEL PER PROJECT PLANS AND INSERT END OF PANEL AGAINST PREVIOUS FACING. FIELD FIT OPPOSITE END AND TRIM AS NEEDED AGAINST SLOPE. SPIRAL FACING TO START/END TRUSS PANEL AND TO STIFFENER. SEE END OF WALL TREATMENT DETAIL, THIS SHEET.

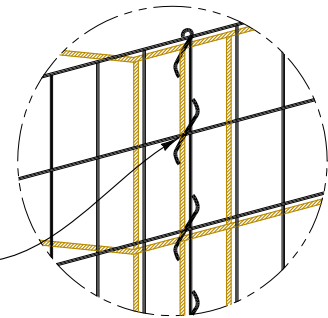
FILL AREA BEHIND WALL WITH BACKFILL PER PROJECT PLANS. COMPACT SOIL AGAINST FACE OF WALL FOR TOE BURY.

CONSTRUCTION SEQUENCE

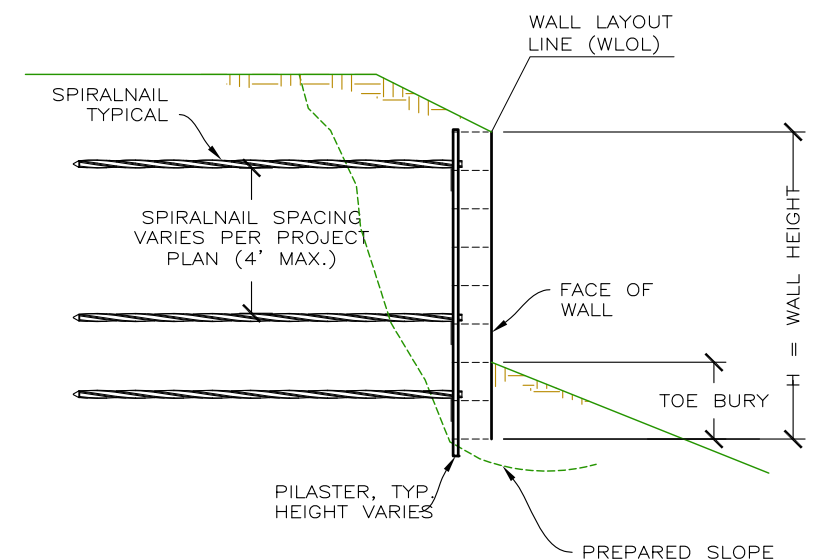


WALL COMPONENTS
NOT TO SCALE

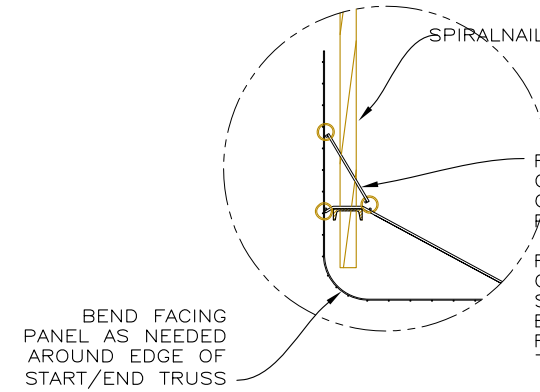
SPIRAL BINDER IS TO BE PLACED SO THAT IT ENCIRCLES BOTH THE HORIZONTAL AND VERTICAL WIRES AND PASSES IN FRONT OF THE HORIZONTAL WIRE IN THE FACE OF WALL AT EACH INTERSECTION.



SPIRAL BINDER ATTACHMENT
NOT TO SCALE



TYPICAL SECTION
SCALE: 1"=5'



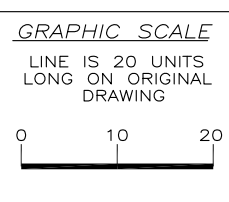
FOR START/END TRUSS ONLY, CONNECT STIFFENER TO THE BACK OF THE TRUSS NEXT TO THE PILASTER WITH A SPIRAL BINDER.
ROTATE STIFFENER TOWARDS END OF WALL AND TRIM AROUND SPIRALNAIL AS REQUIRED. TRIM BOTTOM EDGE OF STIFFENER TO FIT AGAINST SLOPE. SPIRAL TO NEAREST TRANSVERSE WIRE.

END OF WALL TREATMENT
NOT TO SCALE

STANDARD DRAWINGS \ SPIRALNAIL \ SPIRALNAIL WIRETRUSS SYSTEM STANDARD DRAWING

THIS DRAWING IS FURNISHED SOLELY FOR THE USE OF OR IN CONNECTION WITH THIS PROJECT AND THE PROPRIETARY INFORMATION SHOWN HEREON IS NOT TO BE TRANSMITTED TO ANY OTHER ORGANIZATION WITHOUT SPECIFIC AUTHORIZATION BY THE HILFIKER COMPANY. HILFIKER RETAINING WALLS ARE PROTECTED BY ONE OR MORE OF THE FOLLOWING PATENTS: 2,433,613; 2,433,697; 2,888,616; 4,117,686; 4,329,089; 4,324,508; 4,391,557; 4,505,821; 4,343,318; 4,661,023; 4,856,939; 4,929,125; 5,076,735; 5,647,695; 5,722,799; 5,733,072; 6,357,970B1; 6,874,975B2; 7,033,118B2; AND OTHERS. OTHER PATENTS PENDING (2008)

REV.NO.	DATE	BY	DESCRIPTION
1	8 FEB 12	AMJ	REVISED CONSTRUCTION SEQUENCE
2	11 MAY 12	AMJ	ADDED TRANSVERSE WIRES AT 3" SPACING
3	2 APR 15	AMJ	REVISED SPIRALNAIL TIP AND FACE PANEL



PROJ.MGR. BH
ENGINEER
CADD BY HRW

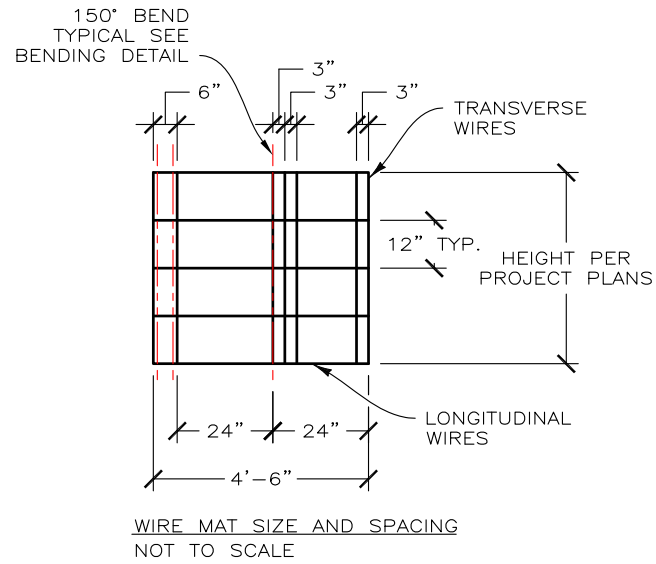
HILFIKER RETAINING WALLS

1902 Hilfiker Lane
Eureka, CA 95503-5711
TOLL-FREE 800.762.8962
PH 707.443.5093 FAX 707.443.2891
WEBSITE www.hilfiker.com E-MAIL info@hilfiker.com

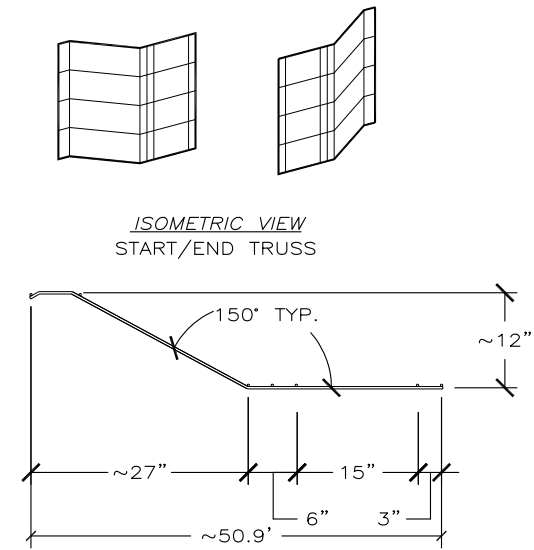
DWG DATE 31 JAN 12
REVISION DATE 2 APR 15
SCALE NOTED

STANDARD DRAWING
SPIRALNAIL WIRETRUSS SYSTEM
DETAILS AND NOTES

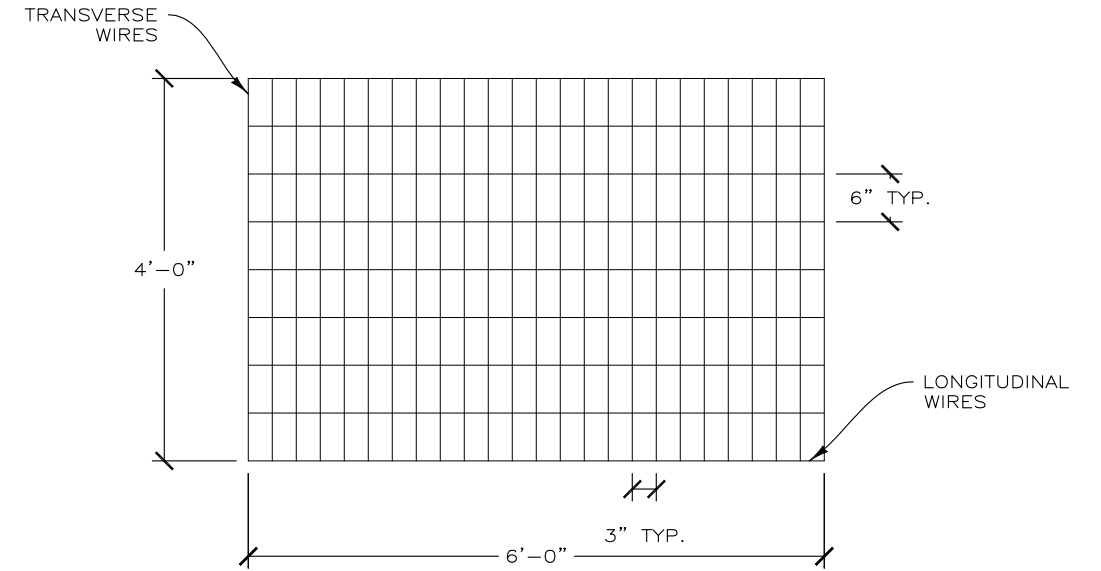
PROJECT NO. ---
SHEET 1 OF 3



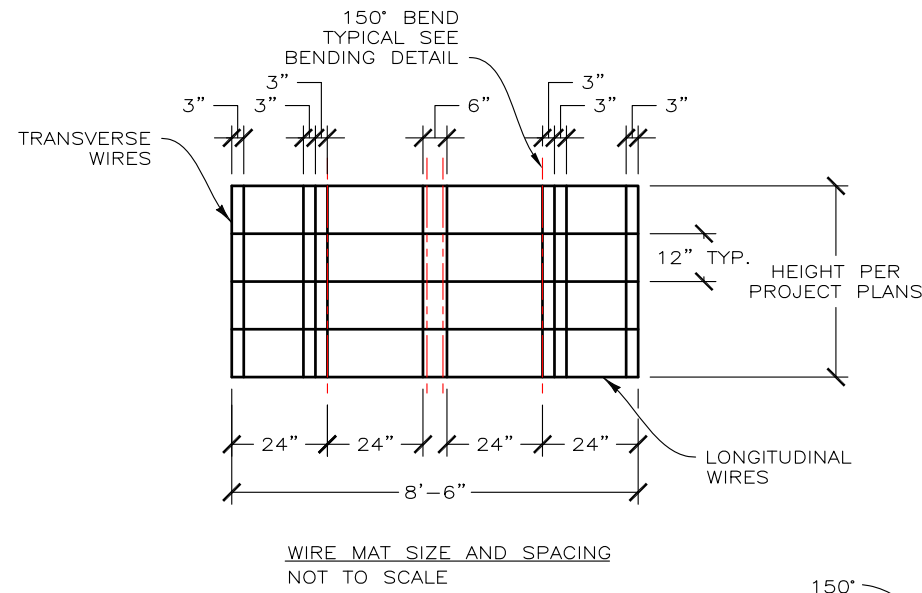
START/END TRUSS



BENDING DETAILS
SCALE: 1/2"=1'

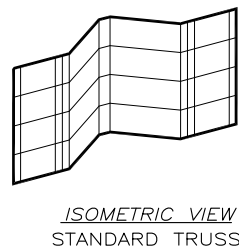


FACING PANEL
SCALE: 1/2"=1'

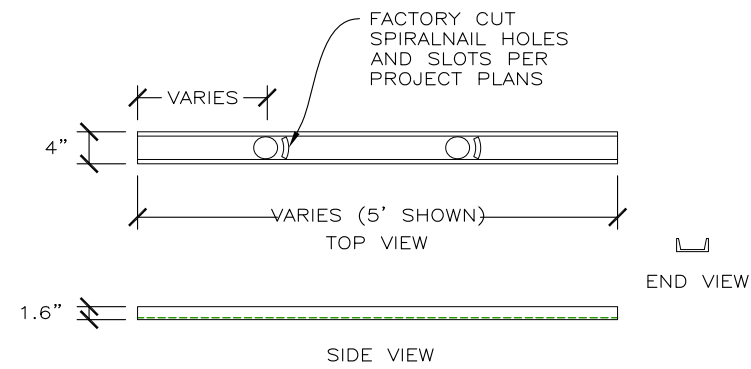
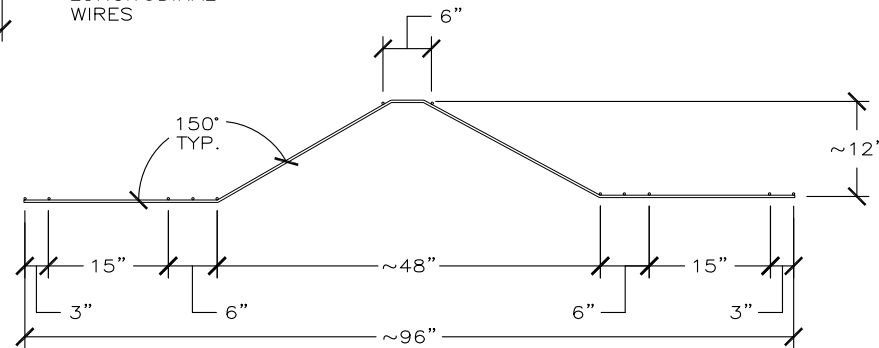


STANDARD TRUSS

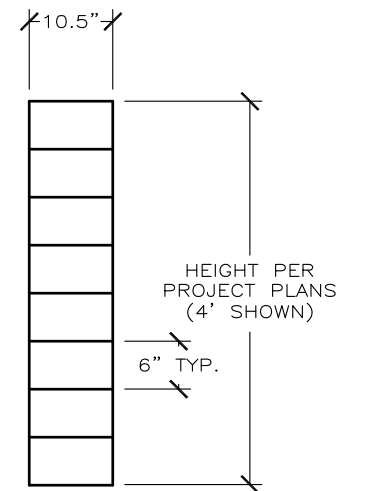
APPROX. (~) DIMENSIONS ARE BASED ON BENDS AND MAY DIFFER SLIGHTLY



BENDING DETAILS
SCALE: 1/2"=1'



PILASTER CHANNEL
SCALE: 1/2"=1'

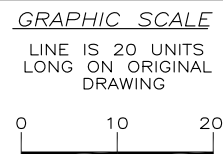


STIFFENER
SCALE: 1/2"=1'

STANDARD DRAWINGS \ SPIRALNAIL \ SPIRALNAIL WIRETRUSS SYSTEM STANDARD DRAWING

THIS DRAWING IS FURNISHED SOLELY FOR THE USE OF OR IN CONNECTION WITH THIS PROJECT AND THE PROPRIETARY INFORMATION SHOWN HEREON IS NOT TO BE TRANSMITTED TO ANY OTHER ORGANIZATION WITHOUT SPECIFIC AUTHORIZATION BY THE HILFIKER COMPANY. HILFIKER RETAINING WALLS ARE PROTECTED BY ONE OR MORE OF THE FOLLOWING PATENTS: 2,433,613; 2,433,697; 2,886,616; 4,117,686; 4,329,089; 4,324,508; 4,391,557; 4,505,621; 4,343,318; 4,661,023; 4,856,939; 4,929,125; 5,076,735; 5,647,695; 5,722,799; 5,733,072; 6,357,970B1; 6,874,975B2; 7,033,118B2; AND OTHERS. OTHER PATENTS PENDING (2008)

REV. NO.	DATE	BY	DESCRIPTION
1	8 FEB 12	AMJ	REVISED CONSTRUCTION SEQUENCE
2	11 MAY 12	AMJ	ADDED TRANSVERSE WIRES AT 3" SPACING
3	2 APR 15	AMJ	REVISED SPIRALNAIL TIP AND FACE PANEL



PROJ. MGR.
BH
ENGINEER
CADD BY
HRW

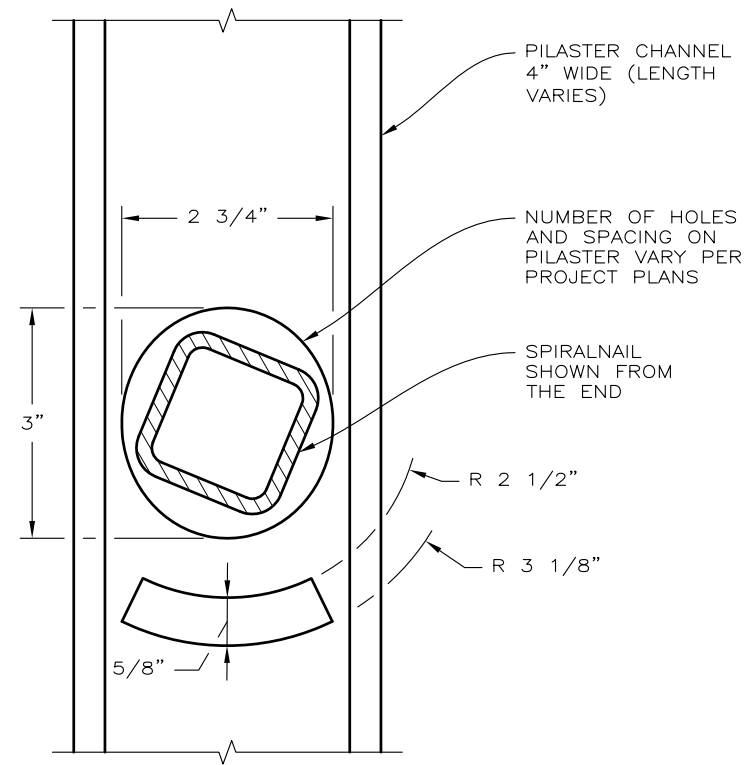
HILFIKER RETAINING WALLS

1902 Hilfiker Lane
Eureka, CA 95503-5711
TOLL-FREE 800.762.8962
PH 707.443.5093 FAX 707.443.2891
WEBSITE www.hilfiker.com E-MAIL info@hilfiker.com

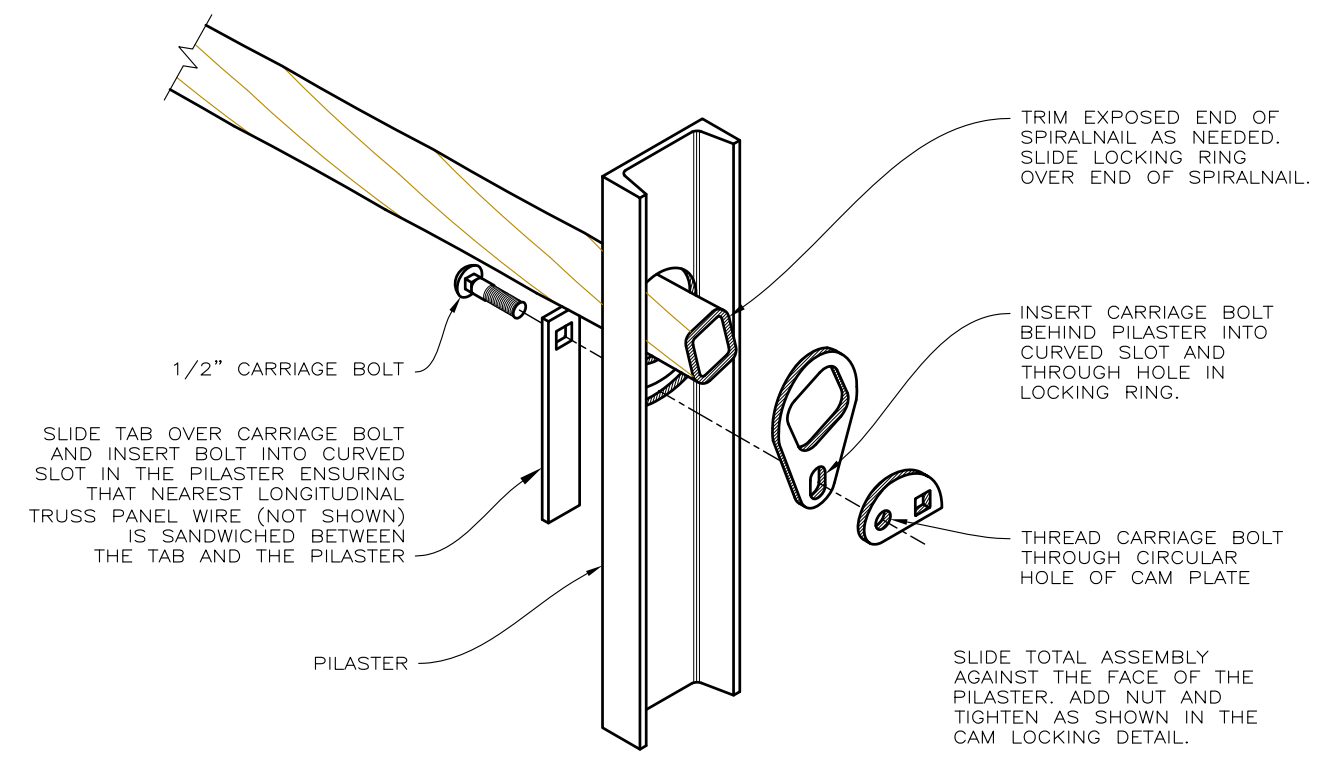
DWG DATE
31 JAN 12
REVISION DATE
2 APR 15
SCALE
NOTED

STANDARD DRAWING
SPIRALNAIL WIRETRUSS SYSTEM
DETAILS AND NOTES

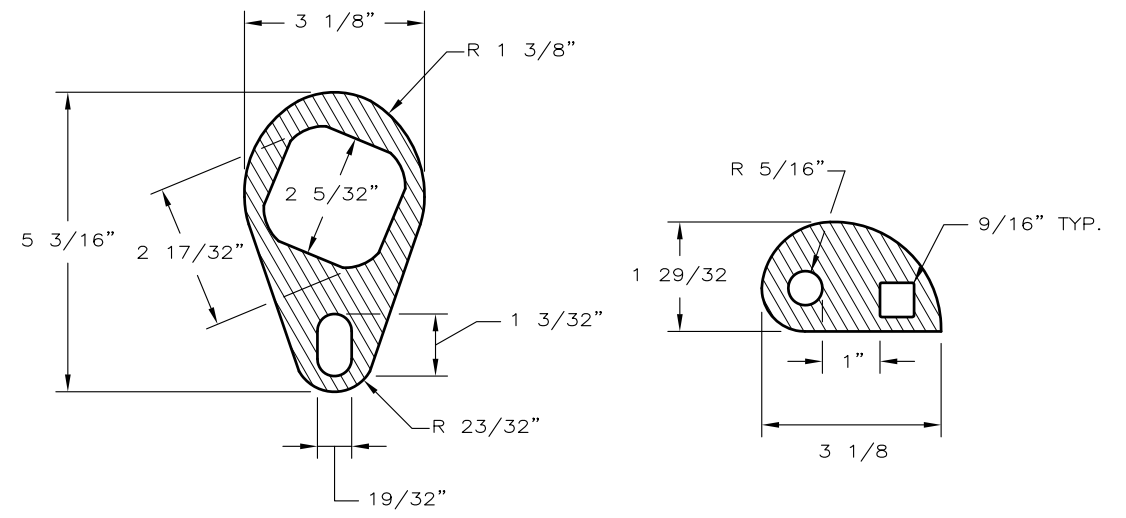
PROJECT NO.
--
SHEET
2
OF 3



PILASTER
NOT TO SCALE



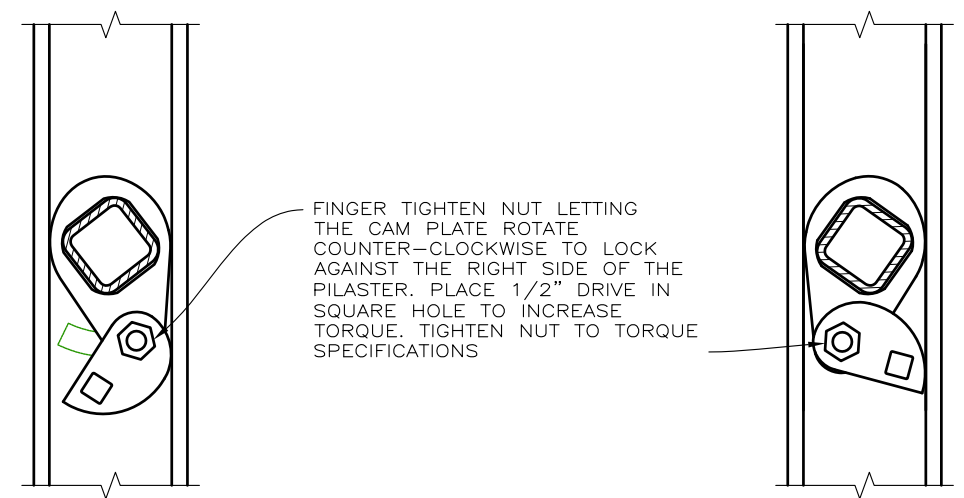
CAM LOCK ASSEMBLY
NOT TO SCALE



LOCKING RING
NOT TO SCALE

CAM PLATE
NOT TO SCALE

CAM LOCK COMPONENTS
NOT TO SCALE

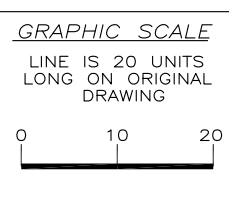


CAM LOCK LOCKING DETAIL
NOT TO SCALE

STANDARD DRAWINGS \ SPIRALNAIL \ SPIRALNAIL WIRETRUSS SYSTEM STANDARD DRAWING

THIS DRAWING IS FURNISHED SOLELY FOR THE USE OF OR IN CONNECTION WITH THIS PROJECT AND THE PROPRIETARY INFORMATION SHOWN HEREON IS NOT TO BE TRANSMITTED TO ANY OTHER ORGANIZATION WITHOUT SPECIFIC AUTHORIZATION BY THE HILFIKER COMPANY. HILFIKER RETAINING WALLS ARE PROTECTED BY ONE OR MORE OF THE FOLLOWING PATENTS: 243,613; 243,697; 288,616; 4,117,686; 4,329,089; 4,324,508; 4,391,557; 4,505,621; 4,343,318; 4,661,023; 4,856,939; 4,929,125; 5,076,735; 5,647,695; 5,722,799; 5,733,072; 6,357,970B1; 6,874,975B2; 7,033,118B2; AND OTHERS. OTHER PATENTS PENDING (2008)

REV. NO.	DATE	BY	DESCRIPTION
1	8 FEB 12	AMJ	REVISED CONSTRUCTION SEQUENCE
2	11 MAY 12	AMJ	ADDED TRANSVERSE WIRES AT 3" SPACING
3	2 APR 15	AMJ	REVISED SPIRALNAIL TIP AND FACE PANEL



PROJ. MGR.
BH
ENGINEER
CADD BY
HRW

HILFIKER RETAINING WALLS

1902 Hilfiker Lane
Eureka, CA 95503-5711
TOLL-FREE 800.762.8962
PH 707.443.5093 FAX 707.443.2891
WEBSITE www.hilfiker.com E-MAIL info@hilfiker.com

DWG DATE
31 JAN 12
REVISION DATE
2 APR 15
SCALE
NOTED

STANDARD DRAWING	PROJECT NO. ---
SPIRALNAIL WIRETRUSS SYSTEM	SHEET 3
CAM LOCK DETAILS	OF 3